

FUTEK MODEL LTH500 (L2763)

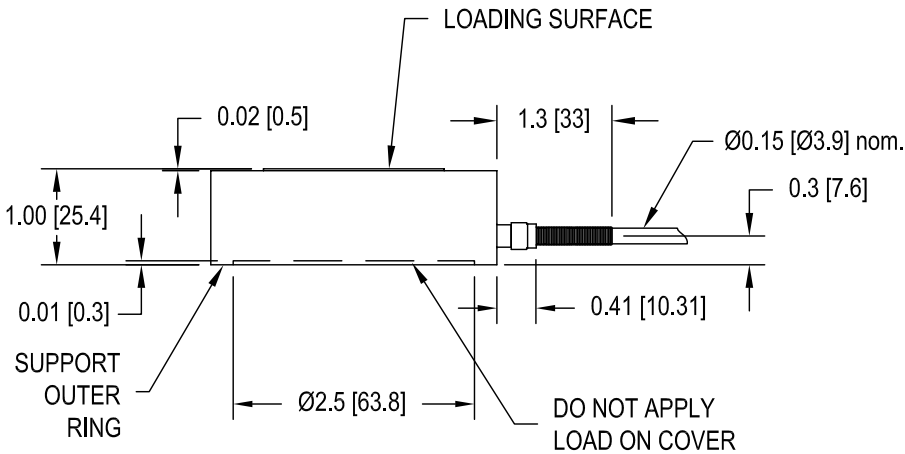
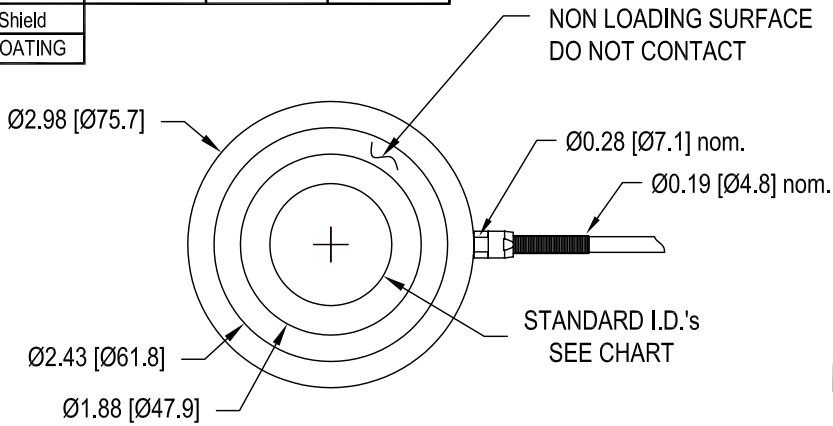
DONUT/ THRU HOLE LOAD CELL AVAILABLE WITH I.D.'S FROM 1/8 TO 1 1/4

Drawing Number: FI1003-B

INCH [mm] R.O.= Rated Output

WIRING CODE (WC1)

+Excitation	-Excitation	+Signal	-Signal
RED	BLACK	GREEN	WHITE
Shield			
FLOATING			



+ OUTPUT
(COMPRESSION)



ID	Inner Diameter DIMENSION
1/8	0.136/0.134 [3.45/3.40]
3/16	0.199/0.197 [5.06/5.01]
1/4	0.261/0.259 [6.63/6.58]
5/16	0.324/0.322 [8.23/8.18]
3/8	0.386/0.384 [9.80/9.75]
7/16	0.449/0.447 [11.40/11.35]
1/2	0.511/0.509 [12.98/12.93]
9/16	0.574/0.572 [14.58/14.53]
5/8	0.636/0.634 [16.15/16.10]
3/4*	0.771/0.769 [19.58/19.53]
7/8	0.896/0.894 [22.76/22.71]
1*	1.021/1.019 [25.93/25.88]
1 1/4*	1.271/1.269 [32.28/32.23]

NOTE:

WHILE TORQUING BOLTS, HIGH TENSION FORCES WILL OCCUR DURING INSTALLATION, WHICH COULD RESULT IN OVERLOADING THE SENSOR. FUTEK RECOMMENDS CONNECTING SENSOR TO A SYSTEM IN ORDER TO MONITOR THE APPLIED FORCES. FUTEK IS NOT LIABLE OR RESPONSIBLE FOR THE MISHANDLING OF THE SENSOR DURING INSTALLATION.

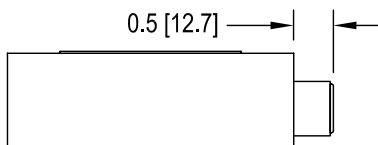
SPECIFICATIONS:

RATED OUTPUT	2 mV/V nom.
CAPACITY lb	2000, 3000, 5000, 7500, 10000, 15000, 20000, 30000*, 50000*
N	8896, 13344, 22240, 33360, 44480, 66720, 88960, 133440*, 222400*
SAFE OVERLOAD	150% of R.O.
ZERO BALANCE	±1% of R.O.
EXCITATION (VDC OR VAC)	18 MAX
BRIDGE RESISTANCE	700 Ω nom.
NONLINEARITY	±0.5% of R.O. } IMPROVED ACCURACY
HYSTERESIS	±0.5% of R.O. } AVAILABLE CONTACT
NONREPEATABILITY	±0.5% of R.O. } FACTORY
TEMP. SHIFT ZERO	±0.005% of R.O./°F [0.01% of R.O./°C]
TEMP. SHIFT SPAN	±0.005% of LOAD/°F [0.01% of LOAD/°C]
COMPENSATED TEMP.	60 to 160°F [15 to 72°C]
OPERATING TEMP.	-60 to 200°F [-50 to 93°C]
WEIGHT	26 oz [737 g]
MATERIAL	17-4PH S.S.
DEFLECTION	0.002 [0.05] nom.
CABLE: #24 AWG, 4 Conductor, Spiral Shielded Teflon Cable 10 ft [3 m] Long	
ACCESORIES AND RELATED INSTRUMENTS AVAILABLE	
CALIBRATION (STD)	5 pt. COMPRESSION; 100K Ω SHUNT CAL. VALUE
CALIBRATION TEST EXCITATION	10 VDC

* COMMONLY STOCKED CAPACITIES AND INNER DIAMETERS

OPTIONAL CONNECTIONS

4 PIN LEMO (EGG.OB.304.CLL)



FSH01790 MATING CONNECTOR
W/ 15 FT PVC CABLE AVAILABLE



This drawing is submitted solely for the information and exclusive use of the original addressee. It is not to be divulged in whole or in part, by any firm or individual without written permission from FUTEK

CAGE CODE # 1X8M6

10 THOMAS
IRVINE, CA 92618 USA
1-800-23-FUTEK (38835)



SCIGATE AUTOMATION (S) PTE LTD
No. 1 Bukit Batok Street 22 #01-01 Singapore 659592
Tel: (65) 6561 0488 Fax: (65) 6562 0588
Email: sales@scigate.com.sg Web: www.scigate.com.sg
Business Hours: Monday - Friday 8.30am - 6.15pm

