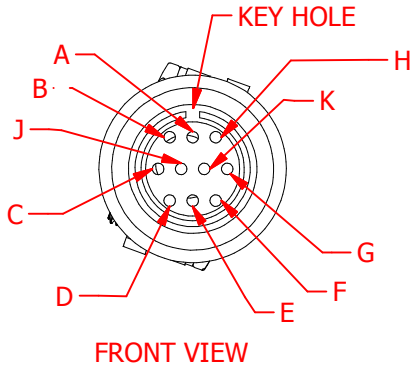


# FUTEK MODEL QLA335 10 Pin Bendix to Cable Assembly

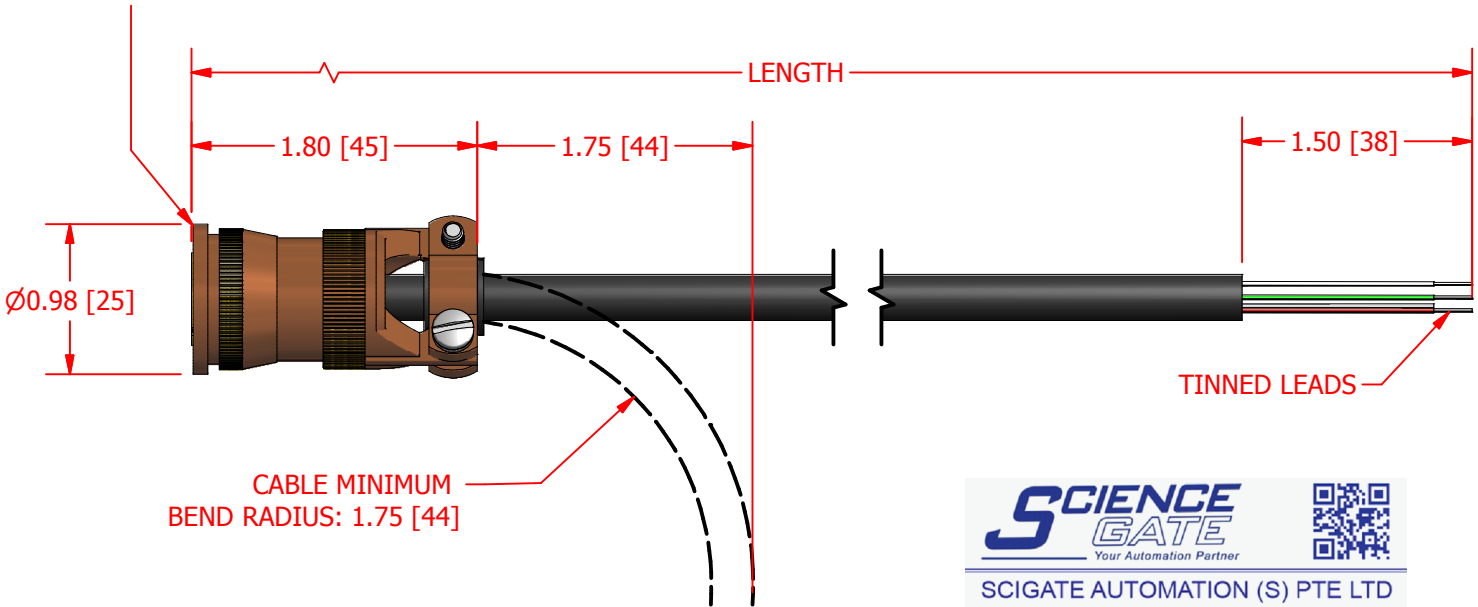
DRAWING NUMBER: FI1349

INCH [mm] | R.O.= Rated Output



WIRING SCHEMATIC	
PIN OUT	WIRING CODE
A	WHITE (-SIGNAL)
B	BLACK (- EXCITATION)
C	VIOLET (TEDS DATA)
D	RED (+EXCITATION)
E	GREEN (+SIGNAL)
F	YELLOW (-SIGNAL)
G	BROWN (TEDS)
H	ORANGE (+EXCITATION)
J	GRAY (+SIGNAL)
K	BLUE (-EXCITATION)
	SHIELD (FLOATING)

10 PIN BENDIX  
PC06E-12-10S(SR)



SCIGATE AUTOMATION (S) PTE LTD

No.1 Bukit Batok Street 22 #01-01 Singapore 659592

Tel: (65) 6561 0488

Fax: (65) 6562 0588

Email: sales@scigate.com.sg

Web: www.scigate.com.sg

Business Hours: Monday - Friday 8.30am - 6.15pm

ITEM #	LENGTH	CABLE	SPECIFICATIONS	
			TEMP.	IP RATING
FSH03749	15 ft	30 AWG, 10 CONDUCTOR BRAIDED SHIELDED POLYURETHANE DIAMETER: 0.175 [4]	-40° to 180° F [-40° to 82° C]	IP50
FSH03750	30 ft			
FSH03751	100 ft			

**FUTEK**  
ADVANCED SENSOR TECHNOLOGY, INC.

This drawing is submitted solely for the information and exclusive use of the original addressee. It is not to be divulged in whole or in part, by any firm or individual without written permission from FUTEK

10 THOMAS  
IRVINE, CA 92618 USA  
1-800-23-FUTEK (38835)

INTERNET:  
<http://www.futek.com>

SHEET 1 OF 1