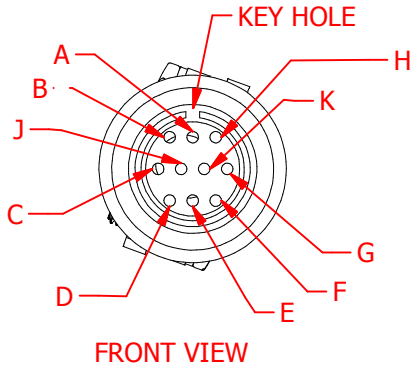


FUTEK MODEL QLA335 10 Pin Bendix to Cable Assembly

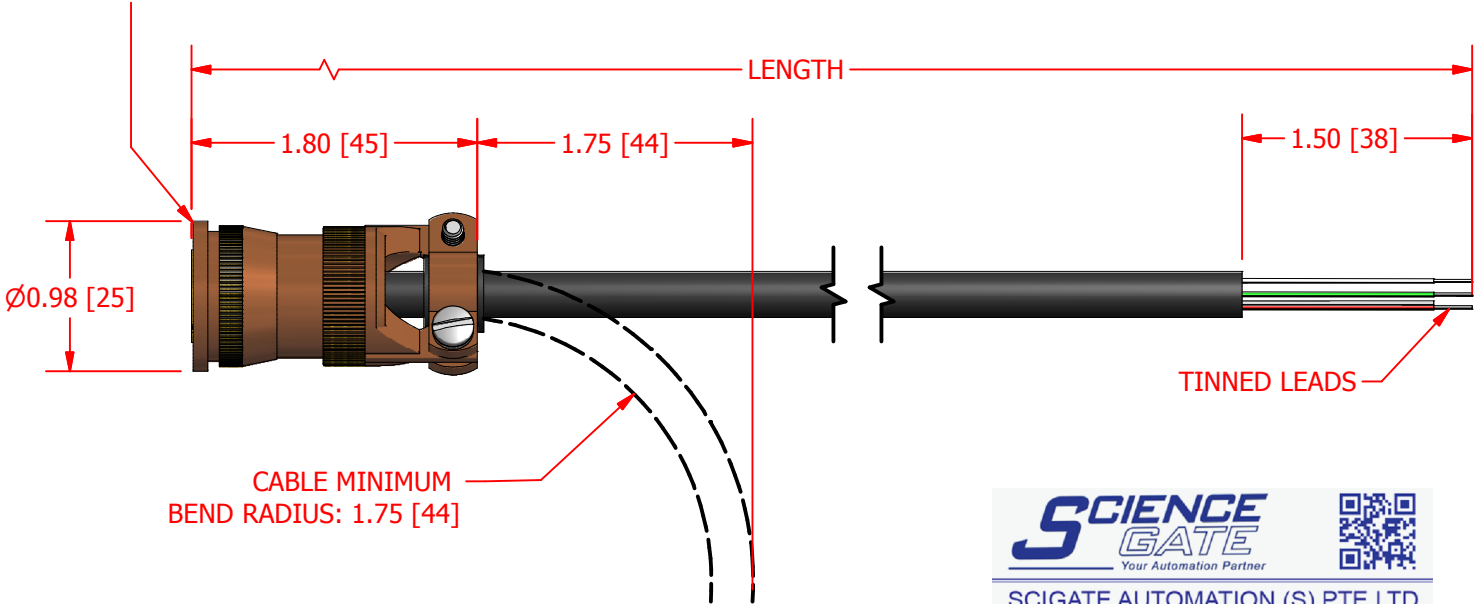
DRAWING NUMBER: FI1349

INCH [mm] | R.O.= Rated Output



WIRING SCHEMATIC	
PIN OUT	WIRING CODE
A	WHITE (-SIGNAL)
B	BLACK (- EXCITATION)
C	VIOLET (TEDS DATA)
D	RED (+EXCITATION)
E	GREEN (+SIGNAL)
F	YELLOW (-SIGNAL)
G	BROWN (TEDS)
H	ORANGE (+EXCITATION)
J	GRAY (+SIGNAL)
K	BLUE (-EXCITATION)
	SHIELD (FLOATING)

10 PIN BENDIX
PC06E-12-10S(SR)



SCIENCE GATE
Your Automation Partner



SCIGATE AUTOMATION (S) PTE LTD
No.1 Bukit Batok Street 22 #01-01 Singapore 659592
Tel: (65) 6561 0488 Fax: (65) 6562 0588
Email: sales@scigate.com.sg Web: www.scigate.com.sg
Business Hours: Monday - Friday 8.30am - 6.15pm

ITEM #	LENGTH	CABLE	SPECIFICATIONS	
			TEMP.	IP RATING
FSH03749	15 ft	30 AWG, 10 CONDUCTOR BRAIDED SHIELDED POLYURETHANE DIAMETER: 0.175 [4]	-40° to 180° F [-40° to 82° C]	IP50
FSH03750	30 ft			
FSH03751	100 ft			