

# ACCESSORIES

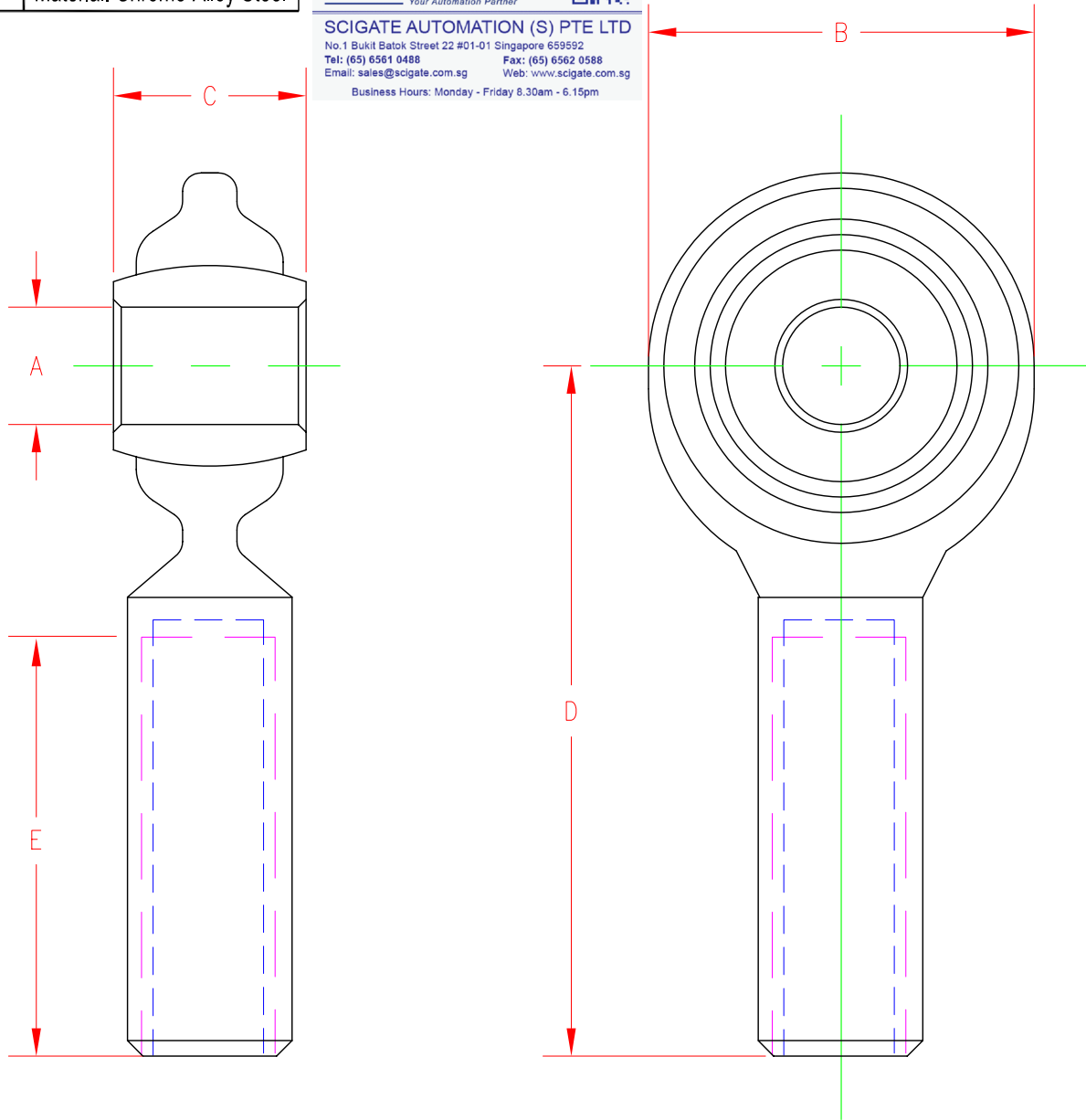
# FEMALE ROD END BEARING

Drawing Number: F11200-A

INCH [mm] | Material: Chrome-Alloy Steel



SCIGATE AUTOMATION (S) PTE LTD  
 No.1 Bukit Batok Street 22 #01-01 Singapore 659592  
 Tel: (65) 6561 0488 Fax: (65) 6562 0588  
 Email: sales@scigate.com.sg Web: www.scigate.com.sg  
 Business Hours: Monday - Friday 8.30am - 6.15pm



ITEM#	THREAD	A	B	C	D	E	LOAD RATING (lb)
GOD00719	10-32	0.19 [4.8]	0.63 [16.0]	0.31 [7.9]	1.06 [26.9]	0.50 [12.7]	3700
GOD00477	1/4-28	0.25 [6.4]	0.75 [19.1]	0.38 [9.7]	1.31 [33.3]	0.69 [17.5]	6100
GOD00720	5/16-24	0.31 [7.9]	0.88 [22.4]	0.44 [11.2]	1.38 [35.1]	0.69 [17.5]	7600
GOD00721	3/8-24	0.38 [9.7]	1.00 [25.4]	0.50 [12.7]	1.63 [41.4]	0.81 [20.6]	9500
GOD00722	7/16-20	0.44 [11.2]	1.13 [28.7]	0.56 [14.2]	1.81 [46.0]	0.94 [24.0]	10200
GOD00723	1/2-20	0.50 [12.7]	1.31 [33.3]	0.63 [16.0]	2.13 [54.1]	1.06 [27.0]	15300
GOD00724	5/8-18	0.63 [16.0]	1.50 [38.1]	0.75 [19.1]	2.50 [63.5]	1.38 [35.1]	17900
GOD00725	3/4-16	0.75 [19.1]	1.75 [44.5]	0.88 [22.4]	2.88 [73.2]	1.56 [39.6]	28000
GOD01327	1-14	1.00 [25.4]	2.95 [74.9]	1.38 [35.1]	4.13 [104.9]	2.13 [54.1]	76200
GOD00726	1 1/4-12	1.00 [25.4]	2.75 [69.9]	1.38 [35.1]	4.13 [104.9]	2.13 [54.1]	76200

BALL JOINT HANDLES UP TO 17° OF MISALIGNMENT



This drawing is submitted solely for the information and exclusive use of the original addressee. It is not to be divulged in whole or in part, by any firm or individual without written permission from FUTEK

10 THOMAS  
 IRVINE, CA 92618 USA  
 1-800-23-FUTEK (38835)

INTERNET:  
<http://www.futek.com>