

# ACCESSORIES

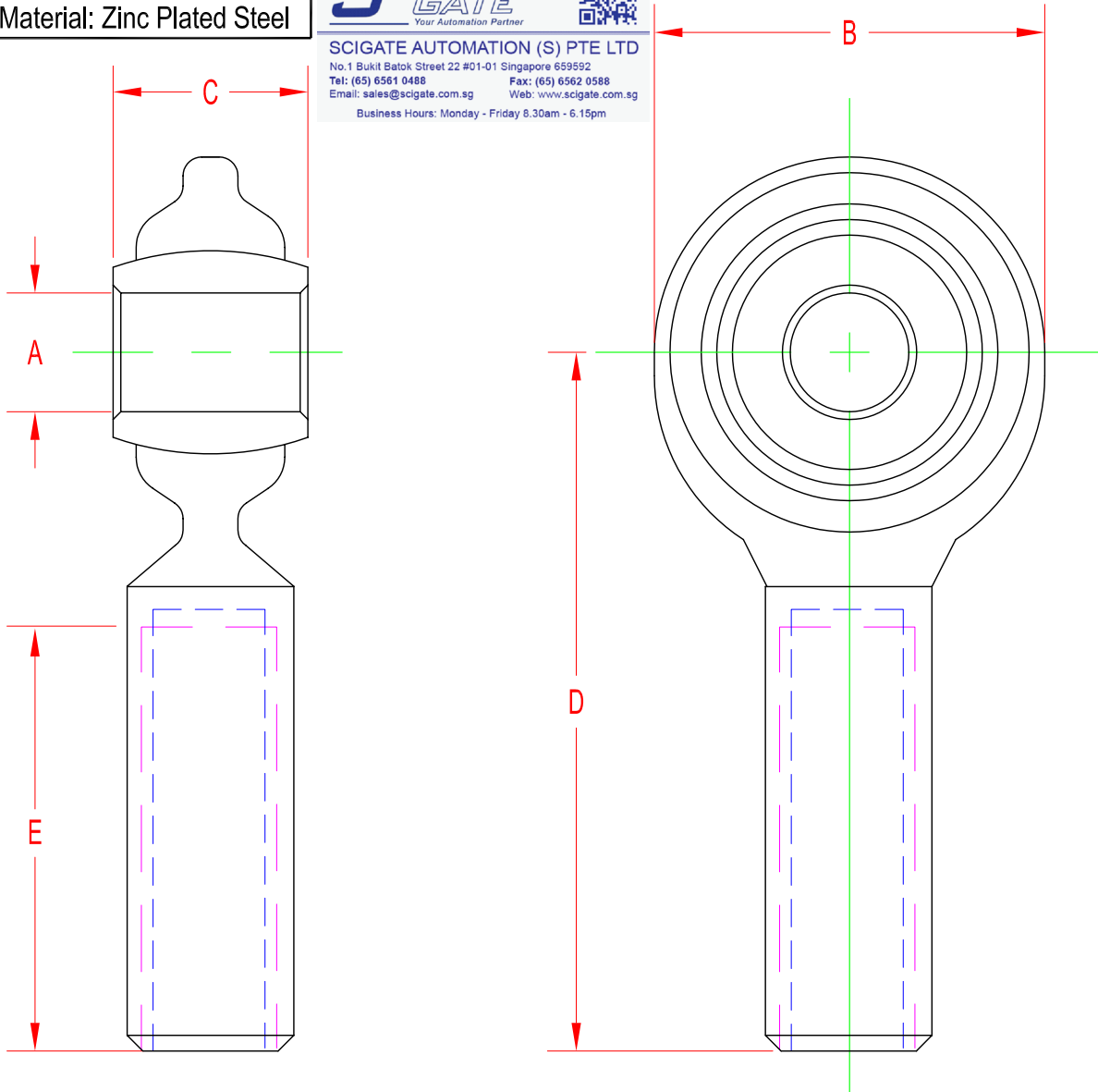
# FEMALE ROD END BEARING

Drawing Number: FI1198

INCH [mm] | Material: Zinc Plated Steel



SCIGATE AUTOMATION (S) PTE LTD  
 No. 1 Bukit Batok Street 22 #01-01 Singapore 659592  
 Tel: (65) 6561 0488 Fax: (65) 6562 0588  
 Email: sales@scigate.com.sg Web: www.scigate.com.sg  
 Business Hours: Monday - Friday 8.30am - 6.15pm



STK#	THREAD	A	B	C	D	E	LOAD RATING (lb)
GOD00727	10-32	0.19 [4.8]	0.63 [16.0]	0.31 [7.9]	1.06 [27.0]	0.50 [12.7]	1500
GOD00728	1/4-28	0.25 [6.4]	0.75 [19.1]	0.38 [9.7]	1.31 [33.3]	0.69 [17.5]	2400
GOD00729	5/16-24	0.31 [7.9]	0.88 [22.4]	0.44 [11.2]	1.38 [35.1]	0.69 [17.5]	2900
GOD00730	3/8-24	0.38 [9.7]	1.00 [25.4]	0.50 [12.7]	1.63 [41.4]	0.81 [20.6]	3800
GOD00731	7/16-20	0.44 [11.2]	1.13 [28.7]	0.56 [14.2]	1.81 [46.0]	0.94 [24.0]	4800
GOD00732	1/2-20	0.50 [12.7]	1.31 [33.3]	0.63 [16.0]	2.13 [54.1]	1.06 [27.0]	6800
GOD00733	5/8-18	0.63 [16.0]	1.50 [38.1]	0.75 [19.1]	2.50 [63.5]	1.38 [35.1]	7300
GOD00734	3/4-16	0.75 [19.1]	1.75 [44.5]	0.88 [22.4]	2.88 [73.2]	1.56 [39.6]	10600
GOD00735	1 1/4-12	1.00 [25.4]	2.75 [69.9]	1.38 [35.1]	4.13 [104.9]	2.13 [54.1]	32600
GOD00736	M6 X 1	0.24 [6.0]	0.75 [19.1]	0.35 [9.0]	1.18 [30.0]	0.55 [14.0]	2000
GOD00737	M10 X 1.5	0.39 [10.0]	1.06 [27.0]	0.55 [14.0]	1.69 [43.0]	0.83 [21.0]	3800
GOD00739	M12 X 1.75	0.47 [12.0]	1.18 [30.0]	0.63 [16.0]	1.97 [50.0]	0.94 [24.0]	4300
GOD00738	M16 X 2	0.63 [16.0]	1.50 [38.0]	0.83 [21.0]	2.52 [64.0]	1.30 [33.0]	6300

**BALL JOINT HANDLES UP TO 17° OF MISALIGNMENT**



This drawing is submitted solely for the information and exclusive use of the original addressee. It is not to be divulged in whole or in part, by any firm or individual without written permission from FUTEK

10 THOMAS  
 IRVINE, CA 92618 USA  
 1-800-23-FUTEK (38835)

INTERNET:  
<http://www.futek.com>