

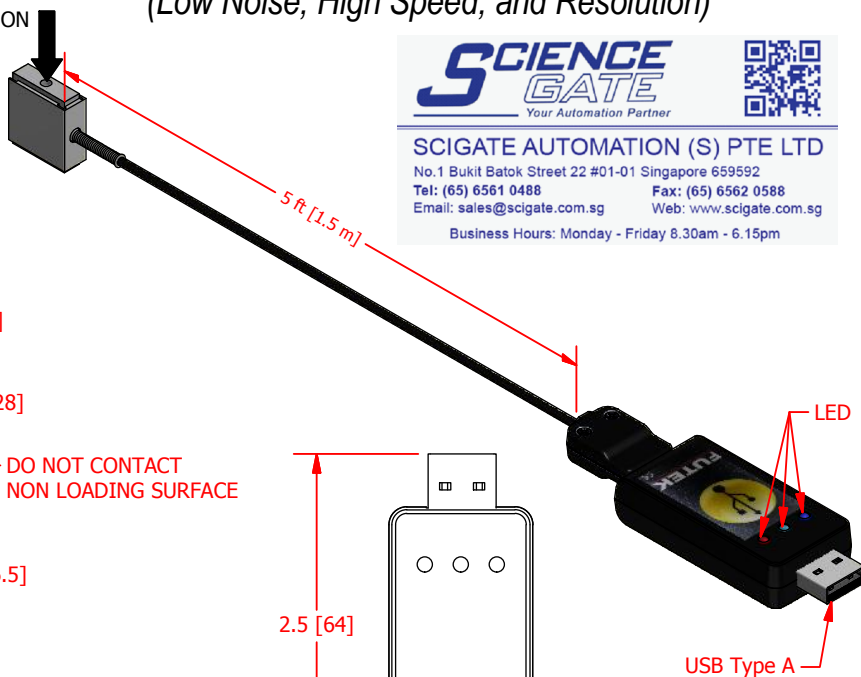
FUTEK MODEL LSB200 & USB220

Robust S-Beam Junior Load Cell w/ USB Output
(Low Noise, High Speed, and Resolution)

ITEM NUMBER: See Table

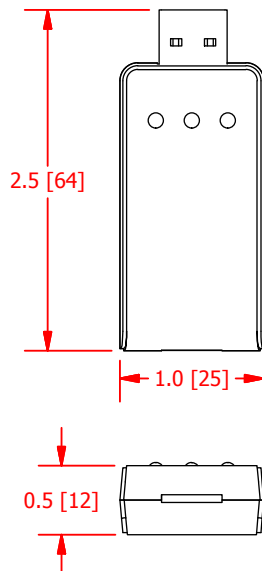
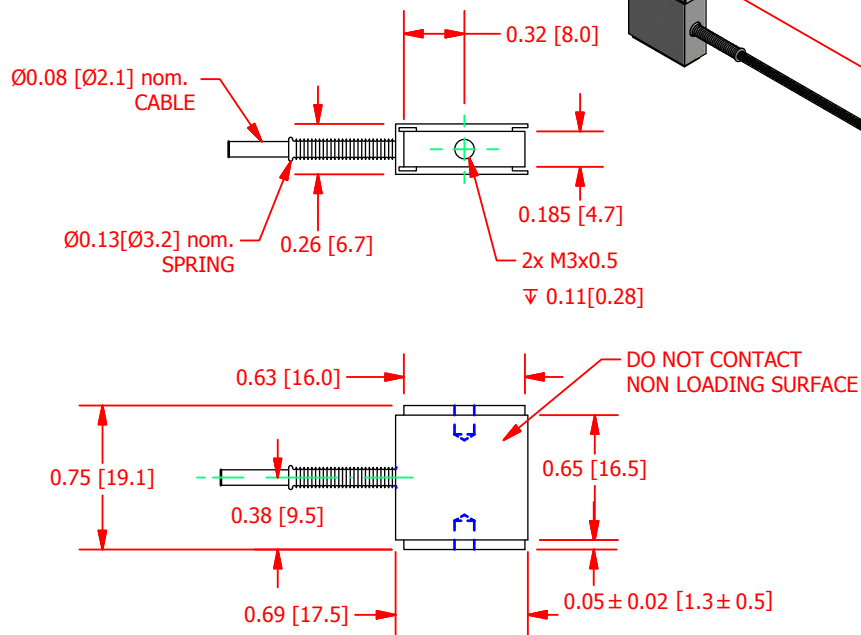
INCH [mm] | R.O.= Rated Output

COMPRESSION



SCIGATE AUTOMATION (S) PTE LTD

No.1 Bukit Batok Street 22 #01-01 Singapore 659592
Tel: (65) 6561 0488 Fax: (65) 6562 0588
Email: sales@scigate.com.sg Web: www.scigate.com.sg
Business Hours: Monday - Friday 8.30am - 6.15pm



ITEM #	Description
QSH01737	LSB200 , 1000 g , JR S-Beam Load Cell , Material - 17-4 PH S.S. , M3x0.5-Thread , Overload Protection , 29 Awg 4 Conductor Spiral Shielded Silicone Cable , 5 ft Long w/ 12 Pin Male Hirose for USB220
FSH03456	USB220 , External USB Output Kit , 24 Bit Resolution , Up To 19 Bit Noise Free , Standard , For mV/V Inputs , Up to 4800 SPS

SPECIFICATIONS

CAPACITY	1000 g [10 N]
SAFE OVERLOAD	1000% of R.O.
EXCITATION (VDC OR VAC)	USB Bus
RESISTANCE	350 Ω nom
NONLINEARITY	±0.1% of R.O.
HYSTERESIS	±0.1% of R.O.
NONREPEATABILITY	±0.05% of R.O.
TEMP. SHIFT ZERO	±0.02% of R.O./°F (±0.036 of R.O./°C)
TEMP. SHIFT SPAN	±0.02% of LOAD/°F (±0.036 of LOAD/°C)
COMPENSATED TEMP.	13 to 114 °F (-11 to 46 °C)
OPERATING TEMP	13 to 160 °F (0 to 71 °C)
MATERIAL (SENSOR)	17-4PH S.S.
CABLE	#29 Awg, 4 Conductor Spiral Shield Silicone Cable, 5 ft Long w/ 12 Pin Male Hirose (LX40-12 P)
CALIBRATION (STD)	5 pt COMPRESSION

Output Link	USB 2.0
Output	ASCII
Sampling Rate	Up to 4800 SPS
Internal Resolution	24 bits
Resolution	See Chart
Nonlinearity (USB220)	0.001% of FSR
Accuracy (USB220)	0.001% of FSR
Integrated Digital Filter	50/60 Hz Filter
Weight	10 g

Sampling Rate (SPS)	Resolution Noise Free bits
10	19
100	17
300	16.5
1200	15.5
2400	14.5
4800	13.5

CUSTOMER APPROVAL- COMPANY:

CUSTOMER APPROVAL- NAME / DATE:

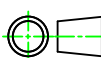
REVISIONS: (Refer to dwg # revision sheet)

OUTLINE DRAWING

STANDARD NOTES: (Unless Otherwise Specified)

ALL DIMENSIONS ARE IN INCHES
DRAWING INTERPRETATION DIMS. PER ASME-Y14.5M
REMOVE BURRS AND BREAK SHARP EDGES .005 - .015
THREADS PER HANDBOOK H-28
DIMENSIONS ARE SHOWN AFTER PLATING

3rd ANGLE PROJ.



ANGLE:
± 1/2°

CHAMFER:
± 5°

TOLERANCE:
.X ± 0.1"
.XX ± 0.01"
.XXX ± 0.005"

This drawing is submitted solely for the information and exclusive use of the original addressee. It is not to be divulged in whole or in part, by any firm or individual without written permission from:

FUTEK

ADVANCED SENSOR TECHNOLOGY, INC.
10 THOMAS, IRVINE, CA 92618 USA
Phone: (949) 465-0900
Fax: (949) 465-0905

MODEL: **LSB200 & USB220**

DWG No.: **FO1364**

DRAWN BY: *E. Pano*

CREATED DATE: 3/21/2014

APPROVED BY: *J. Varqas*

APPROVED DATE: 3/28/2014

CHECKED BY:

CAGE: 1X8M6 SHEET: 1 OF 1