

FUTEK MODEL LSB200 (L2357)

S-BEAM JUNIOR LOAD CELL

DESIGNED FOR INLINE LOADING IN TENSION & COMPRESSION
AVAILABLE IN #4-40 AND M3x0.5 METRIC THREADS

Drawing Number: FI1041-D

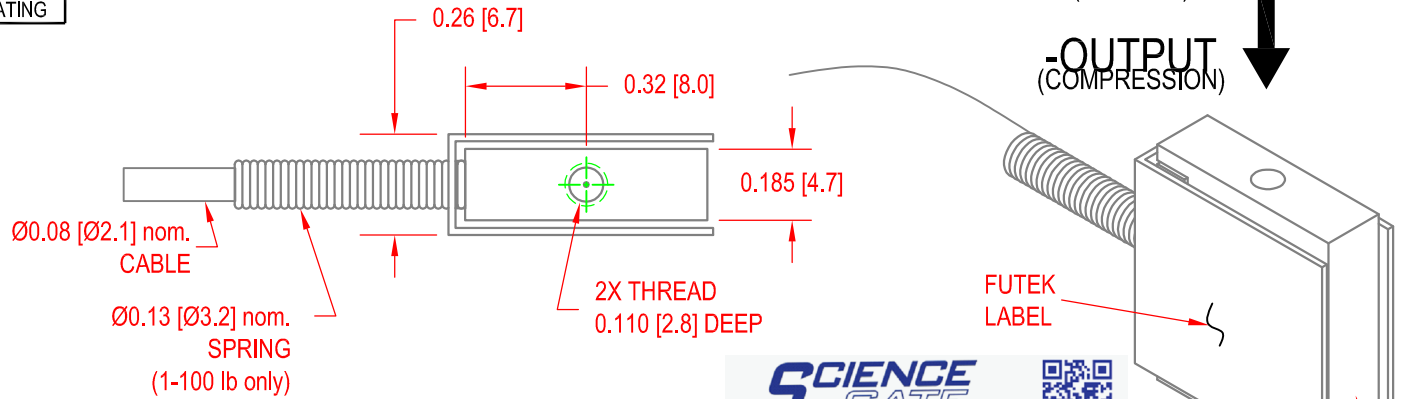
INCH [mm] R.O.= Rated Output

WIRING CODE (WC1)

+Excitation	-Excitation	+Signal	-Signal
RED	BLACK	GREEN	WHITE

Shield
FLOATING

+OUTPUT (TENSION) ↑
-OUTPUT (COMPRESSION) ↓



SCIENCE GATE
Your Automation Partner

SCIGATE AUTOMATION (S) PTE LTD
No.1 Bukit Batok Street 22 #01-01 Singapore 659592
Tel: (65) 6561 0488 Fax: (65) 6562 0588
Email: sales@scigate.com.sg Web: www.scigate.com.sg
Business Hours: Monday - Friday 8.30am - 6.15pm

Stock #	Capacity lb (N)	Thread Size	R.O. (nom.)	BRIDGE RESISTANCE	SHUNT CAL. VALUE	
FSH02534	10g	#4-40	0.5 mV/V	1000 Ω nom.	301K Ω	
FSH02319	(0.1)	M3x0.5				
FSH02666	20g	#4-40	1 mV/V			
FSH02667	(0.2)	M3x0.5				
FSH02535	50g	#4-40	2 mV/V			150K Ω
FSH02663	(0.5)	M3x0.5				
FSH02536	100g	#4-40	350 Ω nom.	60.4K Ω		
FSH02664	(1.0)	M3x0.5				
FSH02602	250g	#4-40				
FSH02665	(2.5)	M3x0.5				
FSH00091	1	#4-40				
FSH00101	(4.5)	M3x0.5				
FSH00092	2	#4-40				
FSH00102	(8.9)	M3x0.5				
FSH00093	5	#4-40				
FSH00103	(22.2)	M3x0.5				
FSH00095	10	#4-40	2 mV/V	350 Ω nom.	60.4K Ω	
FSH00104	(44.5)	M3x0.5				
FSH00096	25	#4-40	0.05 \pm 0.02 [1.3 \pm 0.51]	350 Ω nom.	60.4K Ω	
FSH00105	(111)	M3x0.5				
FSH00097	50	#4-40	0.05 \pm 0.02 [1.3 \pm 0.51]	350 Ω nom.	60.4K Ω	
FSH00106	(222)	M3x0.5				
FSH00098	100	#4-40	0.05 \pm 0.02 [1.3 \pm 0.51]	350 Ω nom.	60.4K Ω	
FSH00107	(445)	M3x0.5				

SPECIFICATIONS:

- RATED OUTPUT** SEE CHART
1000% of R.O.
SAFE OVERLOAD 200% of R.O. Tension Only (50-100 lb)*
 $\pm 3\%$ of R.O., $\pm 5\%$ of R.O. (10-20g)
- ZERO BALANCE**** 10 Max
- EXCITATION (VDC OR VAC)** 10 Max
- BRIDGE RESISTANCE** SEE CHART
- NONLINEARITY** $\pm 0.1\%$ of R.O.
- HYSTERESIS** $\pm 0.1\%$ of R.O.
- NONREPEATABILITY** $\pm 0.05\%$ of R.O.
- TEMP. SHIFT ZERO** $\pm 0.01\%$ of R.O./°F [0.018% of R.O./°C]
- TEMP. SHIFT SPAN** $\pm 0.02\%$ of LOAD/°F [0.036% of LOAD/°C]
- COMPENSATED TEMP.** 60 to 160°F [15 to 72°C]
- OPERATING TEMP.** -60 to 200°F [-50 to 93°C]
- MATERIAL** ALUMINUM (10g-10lb), STAINLESS STEEL (25-100lb)
- WEIGHT** 0.3 oz [9 g]
- DEFLECTION** 0.003-0.005 [0.07-0.13]
- IP RATING** IP40
- CABLE:** #29 AWG, 4 Conductor, Spiral Shielded Silicone Cable, 5 ft [1.5 m] Long
- ACCESSORIES AND RELATED INSTRUMENTS AVAILABLE**
- CALIBRATION (STD)** 5 pt TENSION; SEE CHART FOR SHUNT CAL VALUE.
- CALIBRATION (AVAILABLE)** COMPRESSION
- CALIBRATION TEST EXCITATION** 5 VDC
- *SENSOR STRUCTURE CAN HANDLE HIGH OVERLOADS BUT #4-40 and M3x0.5 THREADS MAY LIMIT OVERLOAD AT HIGHER CAPACITY
- ** ZERO BALANCE IS BASED ON LAYING SENSOR ON ITS SIDE (THREADS HORIZONTAL)