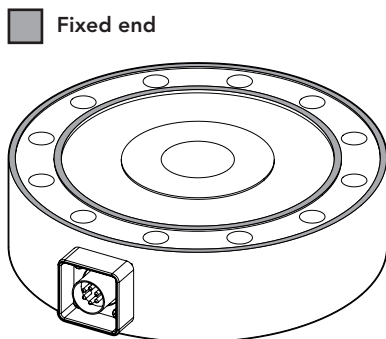
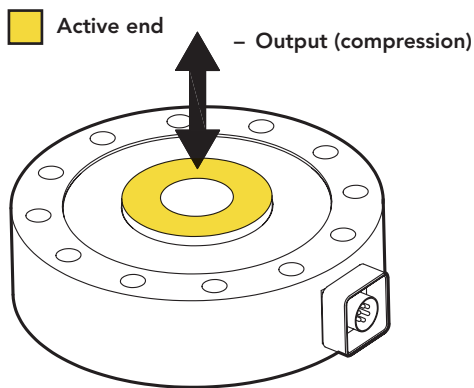




## FEATURES

- Low profile design
- For use in compression
- Utilizes metal foil strain gauge technology
- Highly resistant to off-axis loading



## SPECIFICATIONS

### PERFORMANCE

Nonlinearity	±0.1% of RO
Hysteresis	±0.2% of RO
Nonrepeatability	±0.02% of RO

### ELECTRICAL

Rated Output (RO)	4 mV/V nom
Excitation (VDC or VAC)	20 max
Bridge Resistance	350 Ohm nom
Insulation Resistance	≥500 MOhm @ 50 VDC
Connection	6 Pin BENDIX Receptacle (PT02E-10-6P)
Connector Code	CC1 Standard/CC1T

### MECHANICAL

Weight (approximate)	9 lb [4.1 kg]
Safe Overload	150% of RO
Material	17-4 PH Stainless-steel
IP Rating	IP65

### TEMPERATURE

Operating Temperature	-60 to 200°F [-50 to 93°C]
Compensated Temperature	60 to 160°F [15 to 72°C]
Temperature Shift Zero	±0.001% of RO/°F [0.0018% of RO/°C]
Temperature Shift Span	±0.002% of Load/°F [0.0036% of Load/°C]

### CALIBRATION

Calibration Test Excitation	10 VDC
Calibration (standard)	5-pt compression
Shunt Calibration Value	30 kOhm



## SCIGATE AUTOMATION (S) PTE LTD

No.1 Bukit Batok Street 22 #01-01 Singapore 659592

Tel: (65) 6561 0488

Fax: (65) 6562 0588

Email: sales@scigate.com.sg

Web: www.scigate.com.sg

Business Hours: Monday - Friday 8.30am - 6.15pm

## Sensor Solution Source

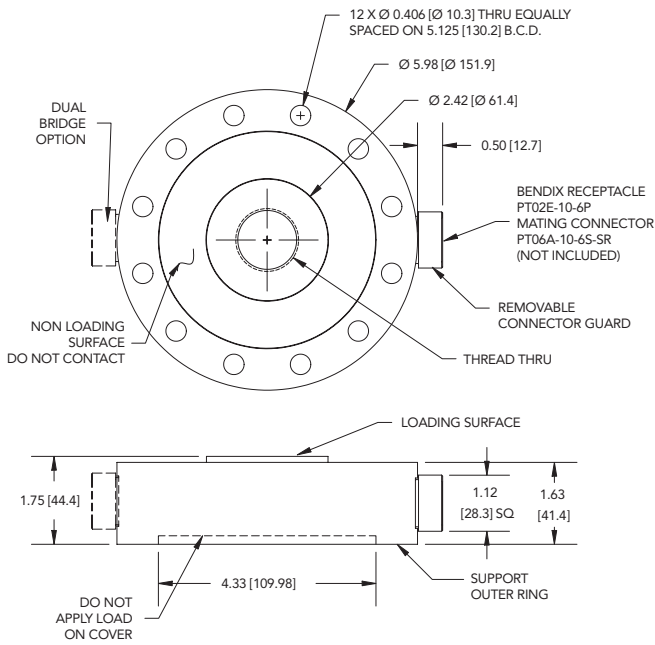
Load · Torque · Pressure · Multi-Axis · Calibration · Instruments · Software

www.futek.com



U.S. Manufacturer

**DIMENSIONS inches [mm]**

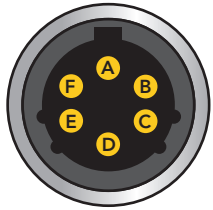


**CAPACITIES**

ITEM #	lb	N	Thread	TEDS	Dual Bridge	Deflection (in)	Natural Frequency (Hz)
FSH02669	25000	111000	1 1/4-12			0.002	7100
FSH02687				X			
FSH03010					X		
FSH03014			M33 X 2	X	X		
FSH02897							
FSH02935				X			
FSH03000			X				
FSH03012			X	X			
FSH02642	50000	222000	1 1/4-12	X		0.003	8200
FSH02689					X		
FSH03009					X		
FSH03013			M33 X 2	X	X		
FSH02898							
FSH02968				X			
FSH02999			X				
FSH03011			X	X			

**BENDIX 6-PIN (CC1/CC1T)**

PIN	COLOR	DESCRIPTION	TEDS DESCRIPTION
A	Red	+ Excitation	+ Excitation
B	Black	- Excitation	- Excitation
C	Green	+ Signal	+ Signal
D	White	- Signal	- Signal
E	Orange	+ Sense	TEDS Data
F	Blue	- Sense	TEDS GND



Sensor Receptacle View

Drawing Number: FI1012-D

FUTEK reserves the right to modify its design and specifications without notice. Please visit [www.futek.com/salesterms](http://www.futek.com/salesterms) for complete terms and conditions.

10 Thomas, Irvine, CA 92618 USA  
 Tel: (949) 465-0900  
 Fax: (949) 465-0905

[www.futek.com](http://www.futek.com)



U.S. Manufacturer