

FUTEK MODEL LSB200 (L2357)

S-BEAM JUNIOR LOAD CELL

DESIGNED FOR INLINE LOADING IN TENSION & COMPRESSION
AVAILABLE IN #4-40 AND M3x0.5 METRIC THREADS

Drawing Number: FI1041-D

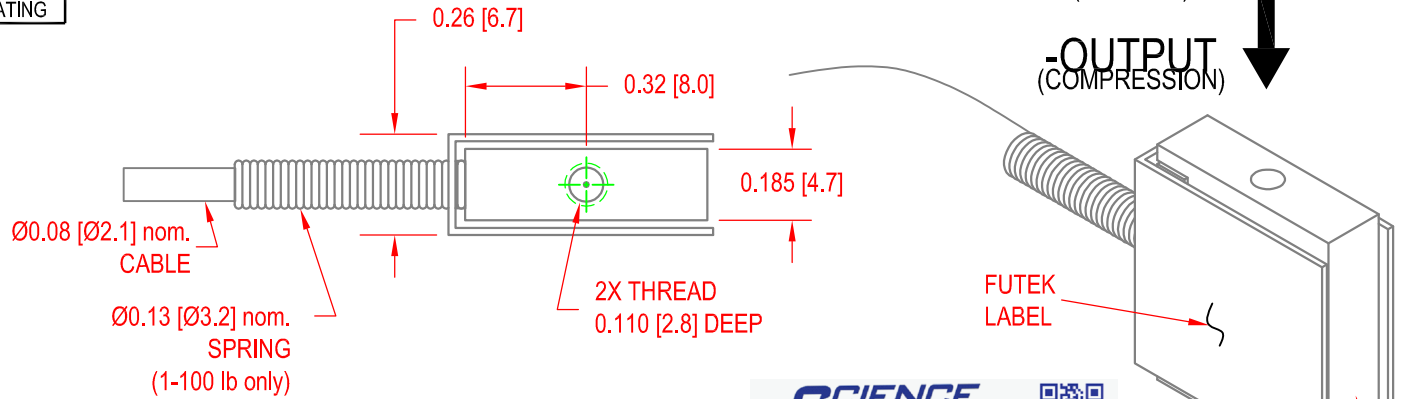
INCH [mm] R.O.= Rated Output

WIRING CODE (WC1)

| | | | |
|-------------|-------------|---------|---------|
| +Excitation | -Excitation | +Signal | -Signal |
| RED | BLACK | GREEN | WHITE |

| |
|----------|
| Shield |
| FLOATING |

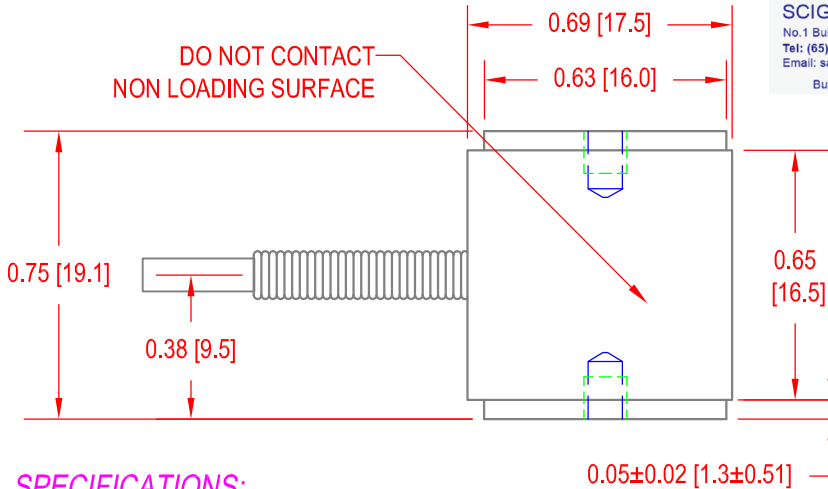
+OUTPUT (TENSION) ↑
-OUTPUT (COMPRESSION) ↓



SCIGATE
Your Automation Partner

SCIGATE AUTOMATION (S) PTE LTD
No. 1 Bukit Batok Street 22 #01-01 Singapore 659592
Tel: (65) 6561 0488 Fax: (65) 6562 0588
Email: sales@scigate.com.sg Web: www.scigate.com.sg
Business Hours: Monday - Friday 8.30am - 6.15pm

DO NOT CONTACT
NON LOADING SURFACE



| Stock # | Capacity lb (N) | Thread Size | R.O. (nom.) | BRIDGE RESISTANCE | SHUNT CAL. VALUE | |
|----------|-----------------|-------------|-------------------|--------------------|------------------|---------------|
| FSH02534 | 10g | #4-40 | 0.5 mV/V | 1000 Ω nom. | 301K Ω | |
| FSH02319 | (0.1) | M3x0.5 | | | | |
| FSH02666 | 20g | #4-40 | 1 mV/V | | | |
| FSH02667 | (0.2) | M3x0.5 | | | | |
| FSH02535 | 50g | #4-40 | 2 mV/V | | | 150K Ω |
| FSH02663 | (0.5) | M3x0.5 | | | | |
| FSH02536 | 100g | #4-40 | 350 Ω nom. | 60.4K Ω | | |
| FSH02664 | (1.0) | M3x0.5 | | | | |
| FSH02602 | 250g | #4-40 | | | | |
| FSH02665 | (2.5) | M3x0.5 | | | | |
| FSH00091 | 1 | #4-40 | | | | |
| FSH00101 | (4.5) | M3x0.5 | | | | |
| FSH00092 | 2 | #4-40 | | | | |
| FSH00102 | (8.9) | M3x0.5 | | | | |
| FSH00093 | 5 | #4-40 | | | | |
| FSH00103 | (22.2) | M3x0.5 | | | | |
| FSH00095 | 10 | #4-40 | | | | |
| FSH00104 | (44.5) | M3x0.5 | | | | |
| FSH00096 | 25 | #4-40 | | | | |
| FSH00105 | (111) | M3x0.5 | | | | |
| FSH00097 | 50 | #4-40 | | | | |
| FSH00106 | (222) | M3x0.5 | | | | |
| FSH00098 | 100 | #4-40 | | | | |
| FSH00107 | (445) | M3x0.5 | | | | |

SPECIFICATIONS:

RATED OUTPUT
SAFE OVERLOAD

SEE CHART
1000% of R.O.
200% of R.O. Tension Only (50-100 lb)*
 $\pm 3\%$ of R.O., $\pm 5\%$ of R.O. (10-20g)

ZERO BALANCE**
EXCITATION (VDC OR VAC)
BRIDGE RESISTANCE

10 Max
SEE CHART

NONLINEARITY
HYSTERESIS

$\pm 0.1\%$ of R.O.
 $\pm 0.1\%$ of R.O.

NONREPEATABILITY

$\pm 0.05\%$ of R.O.

TEMP. SHIFT ZERO

$\pm 0.01\%$ of R.O./ $^{\circ}$ F [0.018% of R.O./ $^{\circ}$ C]

TEMP. SHIFT SPAN

$\pm 0.02\%$ of LOAD/ $^{\circ}$ F [0.036% of LOAD/ $^{\circ}$ C]

COMPENSATED TEMP.

60 to 160 $^{\circ}$ F [15 to 72 $^{\circ}$ C]

OPERATING TEMP.

-60 to 200 $^{\circ}$ F [-50 to 93 $^{\circ}$ C]

MATERIAL

ALUMINUM (10g-10lb), STAINLESS STEEL (25-100lb)

WEIGHT

0.3 oz [9 g]

DEFLECTION

0.003-0.005 [0.07-0.13]

IP RATING

IP40

CABLE: #29 AWG, 4 Conductor, Spiral Shielded Silicone Cable, 5 ft [1.5 m] Long

ACCESSORIES AND RELATED INSTRUMENTS AVAILABLE

CALIBRATION (STD)

5 pt TENSION; SEE CHART FOR SHUNT CAL VALUE.

CALIBRATION (AVAILABLE)

COMPRESSION

CALIBRATION TEST EXCITATION

5 VDC

*SENSOR STRUCTURE CAN HANDLE HIGH OVERLOADS BUT #4-40 and M3x0.5

THREADS MAY LIMIT OVERLOAD AT HIGHER CAPACITY

** ZERO BALANCE IS BASED ON LAYING SENSOR ON ITS SIDE (THREADS HORIZONTAL)

FUTEK
ADVANCED SENSOR TECHNOLOGY, INC.

This drawing is submitted solely for the information and exclusive use of the original addressee. It is not to be divulged in whole or in part, by any firm or individual without written permission from FUTEK

10 THOMAS
IRVINE, CA 92618 USA
1-800-23-FUTEK (38835)

INTERNET:
<http://www.futek.com>