



## FEATURES

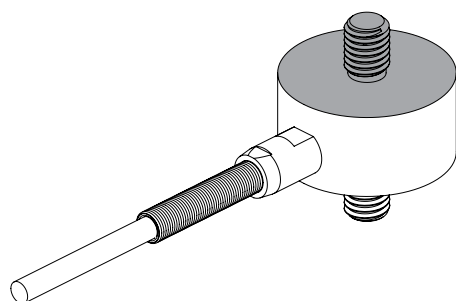
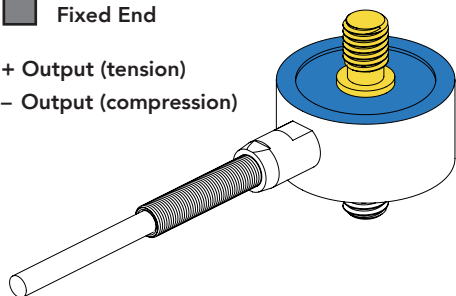
- Minimal mounting clearance
- 17-4 PH stainless-steel construction
- For use in both tension and compression
- Utilizes metal foil strain gauge technology
- Adheres to RoHS Directive 2015/863/EU
- Accessories and related instruments available

 Non-loading surface, do not contact

 Active End

 Fixed End

+ Output (tension)  
- Output (compression)



## SPECIFICATIONS

### PERFORMANCE

Nonlinearity  $\pm 0.25\%$  of RO

Hysteresis  $\pm 0.25\%$  of RO

Nonrepeatability  $\pm 0.1\%$  of RO

### ELECTRICAL

Rated Output (RO) 2 mV/V nom

Excitation (VDC or VAC) 15 max

Bridge Resistance 740 Ohm nom

Insulation Resistance  $\geq 500$  MOhm @ 50 VDC

Connection #28 AWG, 4 conductor braided-shielded PVC cable 10 ft (3 m) long

Wiring/Connector Code WC1

### MECHANICAL

Weight (minus cable) 1.5 oz [42.5 g]

Safe Overload 150% of RO

Deflection 0.001 in [0.03 mm] nom

Material (flexure) 17-4 PH stainless-steel

IP Rating IP64

### TEMPERATURE

Operating Temperature  $-45$  to  $200^\circ\text{F}$  ( $-42$  to  $93^\circ\text{C}$ )

Compensated Temperature 60 to  $160^\circ\text{F}$  (15 to  $72^\circ\text{C}$ )

Temperature Shift Zero  $\pm 0.005\%$  of RO/ $^\circ\text{F}$  ( $\pm 0.01$  of RO/ $^\circ\text{C}$ )

Temperature Shift Span  $\pm 0.02\%$  of load/ $^\circ\text{F}$  ( $\pm 0.036$  of load/ $^\circ\text{C}$ )

### CALIBRATION

Calibration Test Excitation 10 VDC

Calibration (standard) 5-pt Tension

Calibration (available) Compression

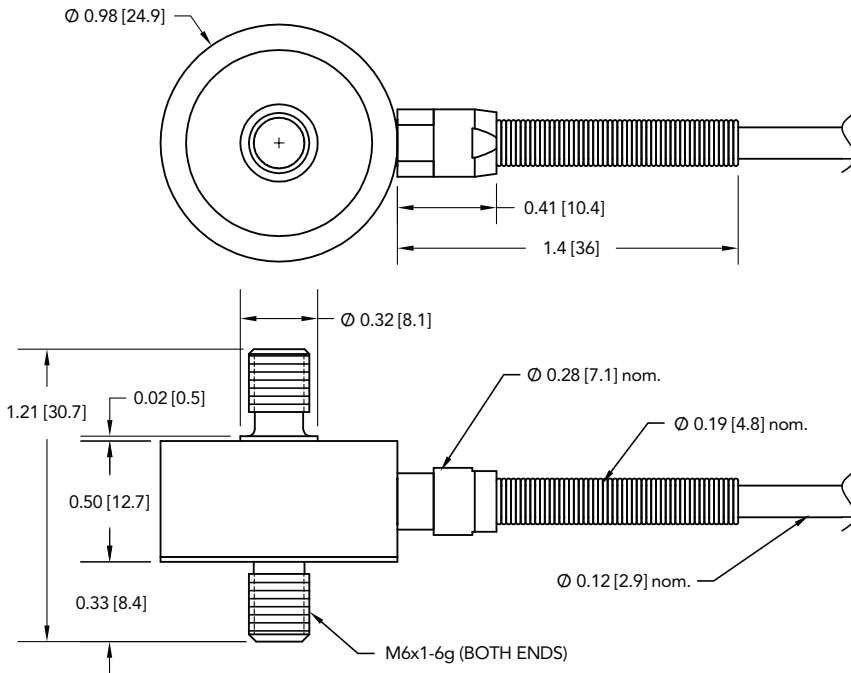
Shunt Calibration Value 100 kOhm

### CONFORMITY

RoHS EU 2015/863

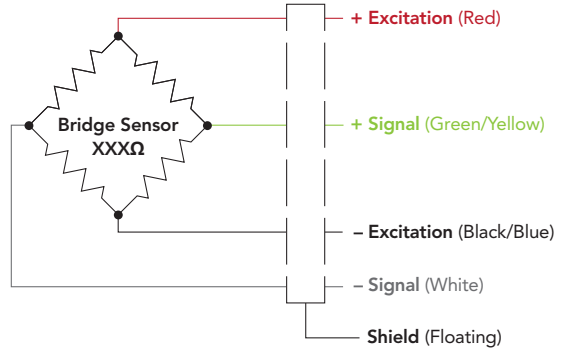
CE EN55011; EN61326-1

**DIMENSIONS** inches [mm]



**WIRING CODE (WC1 WITH SHIELD)**

RED	+ EXCITATION
BLACK	- EXCITATION
GREEN	+ SIGNAL
WHITE	- SIGNAL
SHIELD	FLOATING



**CAPACITIES**

ITEM #	lb	N	Natural Frequency (kHz)
FSH03884	50	223	7.5
FSH03885	100	445	10.2
FSH03886	250	1112	16.2
FSH03887	500	2224	22.9
FSH03888	1000	4448	30.1



**SCIGATE AUTOMATION (S) PTE LTD**

No.1 Bukit Batok Street 22 #01-01 Singapore 659592  
 Tel: (65) 6561 0488 Fax: (65) 6562 0588  
 Email: sales@scigate.com.sg Web: www.scigate.com.sg

Business Hours: Monday - Friday 8.30am - 6.15pm

Drawing Number: F11059-G

FUTEK reserves the right to modify its design and specifications without notice.  
 Please visit <http://www.futek.com/salesterms> for complete terms and conditions.

10 Thomas, Irvine, CA 92618 USA

Tel: (949) 465-0900  
 Fax: (949) 465-0905

[www.futek.com](http://www.futek.com)



RoHS



U.S. Manufacturer