



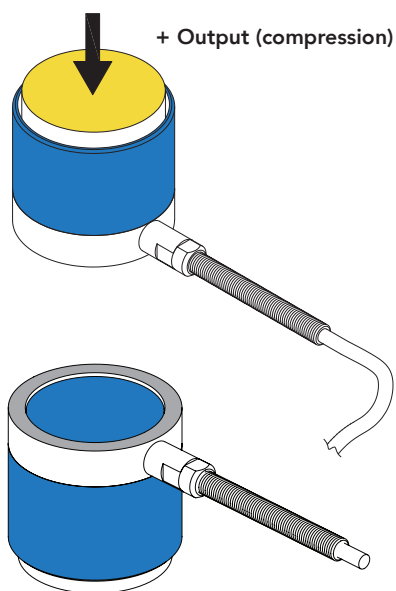
## FEATURES

- Fast response time,
- Superior natural frequency
- Low deflection
- Small profile for tight spaces

 Active end

 Fixed end

 Non-loading surface, do not contact



## SPECIFICATIONS

### PERFORMANCE

|                  |              |
|------------------|--------------|
| Nonlinearity     | ±0.5% of RO  |
| Hysteresis       | ±0.5% of RO  |
| Nonrepeatability | ±0.25% of RO |

### ELECTRICAL

|                         |  |
|-------------------------|--|
| Rated Output (RO)       | 2 mV/V nom   |
| Excitation (VDC or VAC) | 18 max   |
| Bridge Resistance       | 350 Ohm nom  |
| Insulation Resistance   | ≥500 MOhm @ 50 VDC   |
| Connection              | #29 AWG, 4 conductor, spiral shielded Teflon cable<br>10 ft [3 m] long |
| Wiring Code             | WC1  |

### MECHANICAL

|               |                         |
|---------------|-------------------------|
| Weight        | 0.16 lb [73 g]          |
| Safe Overload | 150% of RO              |
| Material      | 17-4 PH stainless-steel |
| IP Rating     | IP64                    |

### TEMPERATURE

|                         |                                       |
|-------------------------|---------------------------------------|
| Operating Temperature   | -60 to 200°F [-50 to 93°C]            |
| Compensated Temperature | 60 to 160°F [15 to 72°C]              |
| Temperature Shift Zero  | ±0.01% of RO/°F [0.018% of RO/°C]     |
| Temperature Shift Span  | ±0.02% of Load/°F [0.036% of Load/°C] |

### CALIBRATION

|                             |                  |
|-----------------------------|------------------|
| Calibration Test Excitation | 10 VDC           |
| Calibration (standard)      | 5-pt compression |
| Shunt Calibration Value     |                  |



## SCIGATE AUTOMATION (S) PTE LTD

No.1 Bukit Batok Street 22 #01-01 Singapore 659592

Tel: (65) 6561 0488

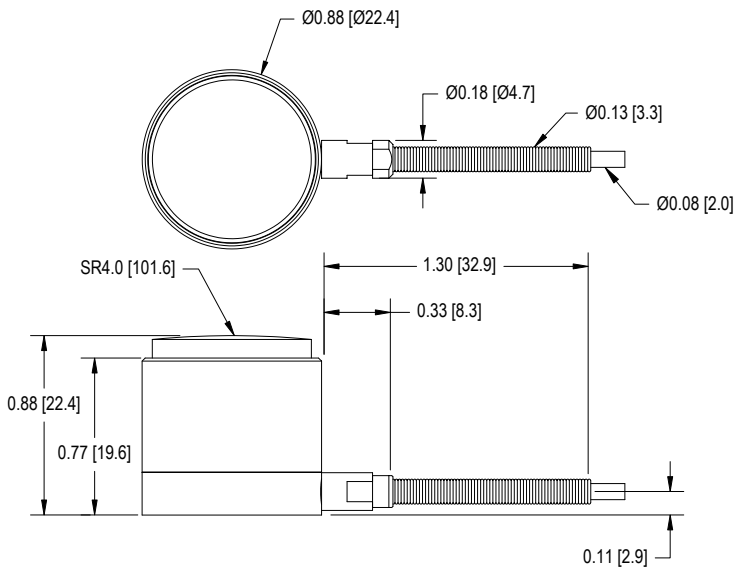
Fax: (65) 6562 0588

Email: sales@scigate.com.sg

Web: www.scigate.com.sg

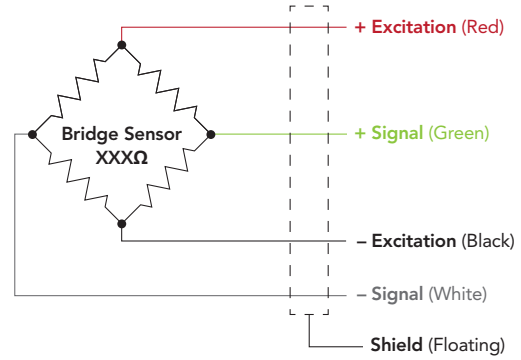
Business Hours: Monday - Friday 8.30am - 6.15pm

**DIMENSIONS** inches [mm]



**WIRING CODE (WC1 WITH SHIELD)**

|        |              |
|--------|--------------|
| RED    | + EXCITATION |
| BLACK  | - EXCITATION |
| GREEN  | + SIGNAL     |
| WHITE  | - SIGNAL     |
| SHIELD | FLOATING     |



**CAPACITIES**

| ITEM #   | lb    | N     | Deflection (in) | Natural Frequency (Hz) |
|----------|-------|-------|-----------------|------------------------|
| FSH04488 | 10000 | 44480 | 0.001           | 50000                  |

Drawing Number: F11529

FUTEK reserves the right to modify its design and specifications without notice. Please visit [www.futek.com/salesterms](http://www.futek.com/salesterms) for complete terms and conditions.

10 Thomas, Irvine, CA 92618 USA  
Tel: (949) 465-0900

[www.futek.com](http://www.futek.com)



R0HS



U.S. Manufacturer