

FUTEK MODEL LSB206

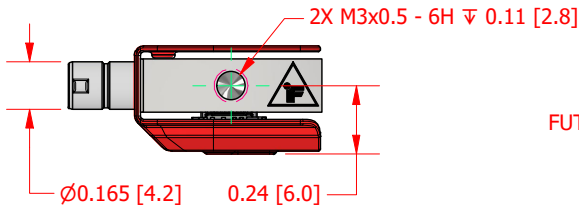
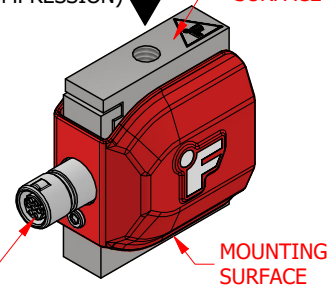
ITEM NUMBER: SEE CHART

DIGITAL MINITURE JR. S-BEAM LOAD CELL WITH UART OUTPUT

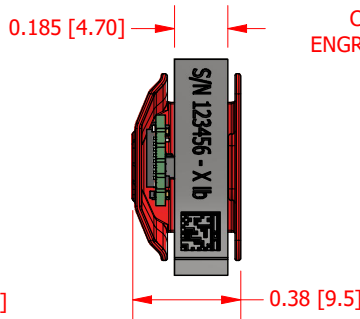
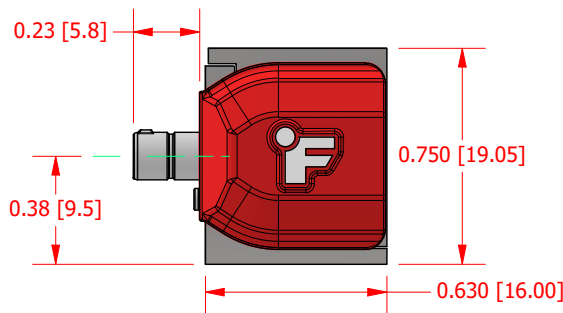


INCH [mm]		R.O.= Rated Output
PIN	FUNCTION	△
1	GND	
3	VIN	
6	Rx	
7	Tx	

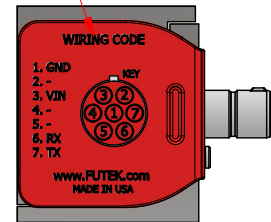
+ OUTPUT (TENSION)
- OUTPUT (COMPRESSION)



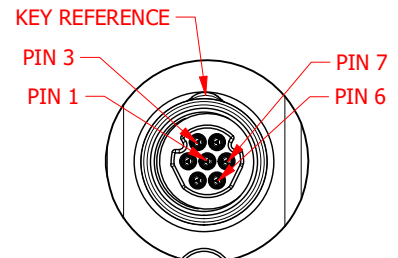
FUTEK 7 Pin Nano Connector MOUNTING SURFACE



COLOR CODE ENGRAVED ON COVER



SPECIFICATIONS:	
OUTPUT CAPACITY	UART SEE CHART
SAFE OVERLOAD	1000 % of R.O. [200% TENSION ONLY (50-100 lb)]
NONLINEARITY	±0.1% of R.O.
HYSTERESIS	±0.1% of R.O.
NONREPEATABILITY	±0.05% of R.O.
IP RATING	IP40
WEIGHT (approx)	0.03 lb [14.2 g]
MATERIAL	17-4 PH S.S.
ACCESSORIES	FSH04642, UART TO USB ADAPTER (OPTIONAL)
CALIBRATION (STD)	5 pt. TENSION (STANDARD) TENSION & COMPRESSION (AVAILABLE)



SCIGATE AUTOMATION (S) PTE LTD
No. 1 Bukit Batok Street 22 #01-01 Singapore 656592
Tel: (65) 6561 0488 Fax: (65) 6562 0588
Email: sales@scigate.com.sg Web: www.scigate.com.sg
Business Hours: Monday - Friday 8.30am - 6.15pm

ITEM #	CAP (lb[N])	Noise Free Resolution @ 4 SPS (lb[N])	Noise Free Resolution @ 1300 SPS (lb[N])
FSH04509	1 [4.5]	0.00005 [0.00022]	0.001 [0.004]
FSH04510	2 [9.0]	0.00025 [0.00111]	0.003 [0.013]
FSH04511	5 [22.4]	0.001 [0.004]	0.009 [0.040]
FSH04512	10 [44.8]	0.0016 [0.0071]	0.02 [0.09]
FSH01513	25 [112]	0.004 [0.0178]	0.05 [0.22]
FSH04514	50 [224]	0.005 [0.0223]	0.08 [0.36]
FSH04515	100 [448]	0.008 [0.036]	0.2 [0.9]

Specifications:	
Power:	3 VDC to 5VDC
	20-40mV peak-to-peak ripple in pass band
	20MHz bandwidth (cutoff 40dB @ 20MHz)
	Power Consumption: 78mW

CUSTOMER APPROVAL- COMPANY:	
CUSTOMER APPROVAL- NAME / DATE:	
REVISIONS: (Refer to dwg # revision sheet)	
A	7/13/2022

OUTLINE DRAWING

STANDARD NOTES: (Unless Otherwise Specified)
ALL DIMENSIONS ARE IN INCHES
DRAWING INTERPRETATION DIMS. PER ASME-Y14.5
REMOVE BURRS AND BREAK SHARP EDGES .005 - .015
THREADS PER HANDBOOK H-28
DIMENSIONS ARE SHOWN AFTER PLATING

ANGLE: ± 1/2°
CHAMFER: ± 5°
TOLERANCE:
.X ± 0.1"
.XX ± 0.01"
.XXX ± 0.005"

3rd ANGLE PROJ.

FUTEK

www.futek.com

MODEL: LSB206	DWG No.: F01576-A
DRAWN BY: M. ILLES	CREATED DATE: 1/6/2022
APPROVED BY: M. LISIAK	APPROVED DATE: 2/11/2022
CHECKED BY:	CAGE: 1X8M6 SHEET: 1 OF 1

This drawing, INCLUDING ALL INFORMATION DEPICTED THEREON (COLLECTIVELY, "Drawing"), is FUTEK's property. It is provided solely for the information and exclusive use of the original addressee. EXCEPT AS EXPRESSLY APPROVED BY FUTEK, YOU MAY NOT REPRODUCE OR SHARE this Drawing, in whole or part, with any OTHER firm or individual and without this legend appearing thereon.