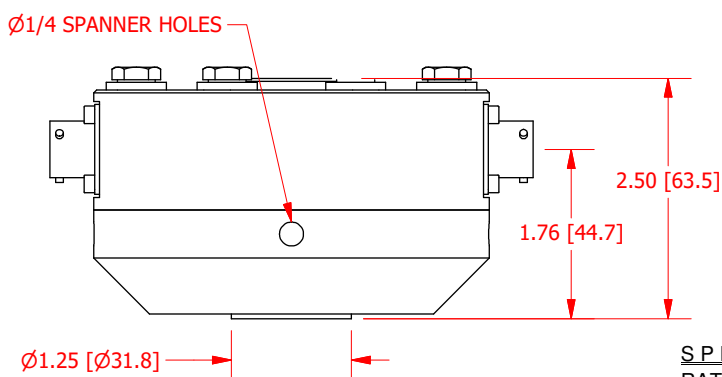
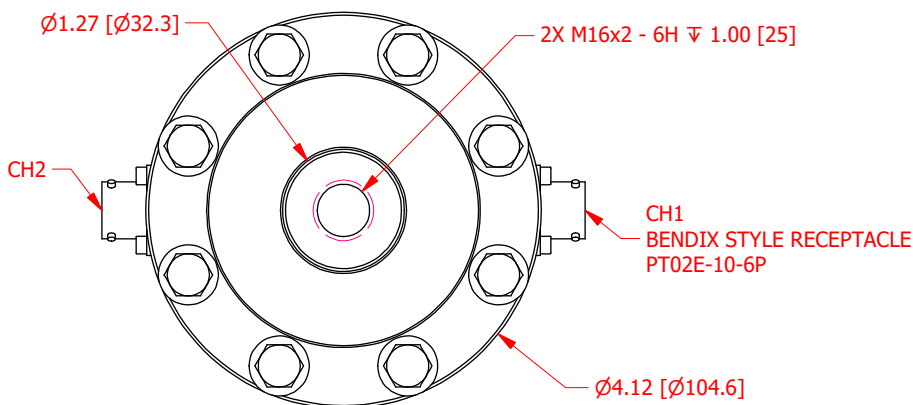
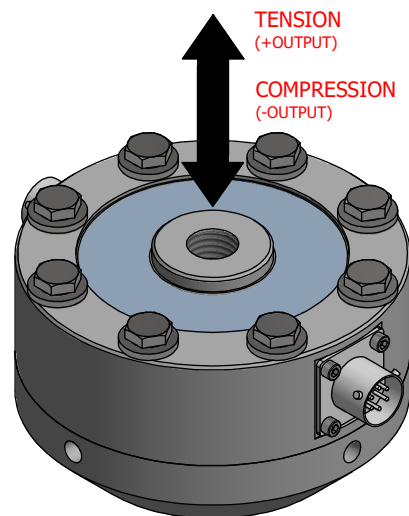


FUTEK MODEL LCF455

Dual Bridge, Low Profile Universal Pancake With Tension Base

ITEM NUMBER: FSH04518

INCH [mm]		R.O.= Rated Output	
WIRING CODE (CC 1)			
+ Excitation	- Excitation	+Signal	-Signal
RED PIN A	BLACK PIN B	GREEN PIN C	WHITE PIN D
+Sense	-Sense		
ORANGE PIN E	BLUE PIN F		



SPECIFICATIONS:

RATED OUTPUT	1.2 mV/V nom.
CAPACITY (CH1 & 2)	3000 lb. [13320N]
SAFE OVERLOAD	150 % of R.O.
ZERO BALANCE	$\pm 4\%$ of R.O.
EXCITATION (VDC OR VAC)	20 MAX
BRIDGE RESISTANCE	700 Ω nom.
NONLINEARITY	$\pm 0.15\%$ of R.O.
HYSTERESIS	$\pm 0.25\%$ of R.O.
NONREPEATABILITY	$\pm 0.03\%$ of R.O.
TEMP. SHIFT ZERO	$\pm 0.002\%$ of R.O./ $^{\circ}F$ (± 0.004 of R.O./ $^{\circ}C$)
TEMP. SHIFT SPAN	$\pm 0.005\%$ of LOAD/ $^{\circ}F$ (± 0.009 of LOAD/ $^{\circ}C$)
COMPENSATED TEMP.	60 to 160 $^{\circ}F$ (16 to 71 $^{\circ}C$)
OPERATING TEMP	-60 to 200 $^{\circ}F$ (-51 to 93 $^{\circ}C$)
WEIGHT (approx)	6.9 lb [3129.2 g]
MATERIAL	17-4 PH S.S.
CONNECTOR: 2X 6 PIN PT02E-10-6P STYLE	



SCIGATE AUTOMATION (S) PTE LTD

No.1 Bukit Batok Street 22 #01-01 Singapore 659592

Tel: (65) 6561 0488

Fax: (65) 6562 0588

Email: sales@scigate.com.sg

Web: www.scigate.com.sg

Business Hours: Monday - Friday 8.30am - 6.15pm

CUSTOMER APPROVAL- COMPANY:

CUSTOMER APPROVAL- NAME / DATE:

REVISIONS: (Refer to dwg # revision sheet)

OUTLINE DRAWING

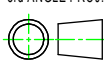
STANDARD NOTES: (Unless Otherwise Specified)

ALL DIMENSIONS ARE IN INCHES
 DRAWING INTERPRETATION DIMS. PER ASME-Y14.5
 REMOVE BURRS AND BREAK SHARP EDGES .005 - .015
 THREADS PER HANDBOOK H-28
 DIMENSIONS ARE SHOWN AFTER PLATING

ANGLE:
 $\pm 1/2^{\circ}$

CHAMFER:
 $\pm 5^{\circ}$

TOLERANCE:
 .X $\pm 0.1^{\circ}$
 .XX $\pm 0.01^{\circ}$
 .XXX $\pm 0.005^{\circ}$



This drawing is submitted solely for the information and exclusive use of the original addressee. It is not to be divulged in whole or in part, by any firm or individual without written permission from:

FUTEK

ADVANCED SENSOR TECHNOLOGY, INC.
 10 THOMAS, IRVINE, CA 92618 USA
 Phone: (949) 465-0900
 Fax: (949) 465-0905

MODEL: **LCF455**

DWG No.: **FO1544**

DRAWN BY: R. WALKER

CREATED DATE: 9/4/2020

APPROVED BY: S. Michel

APPROVED DATE: 9/9/2020

CHECKED BY:

CAGE: 1X8M6 SHEET: 1 OF 1