

FUTEK MODEL IAC150

DB9 Connector w/ Terminal Block

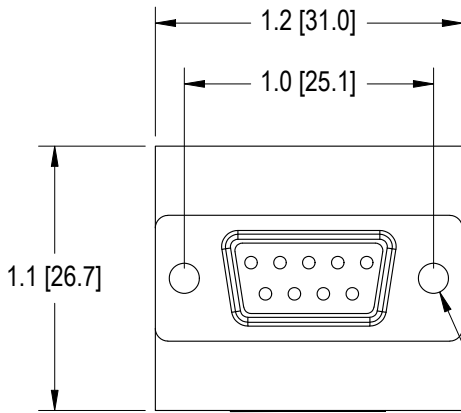
Drawing Number: FI1175-A

INCH [mm] R.O.= Rated Output

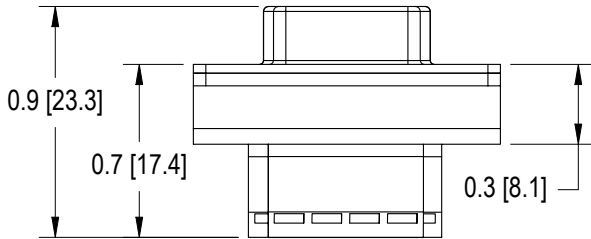
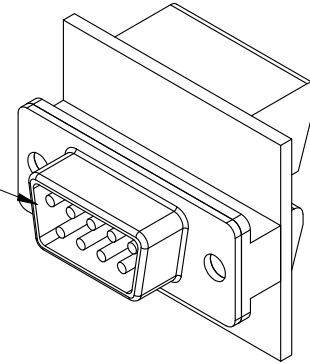


SCIGATE AUTOMATION (S) PTE LTD

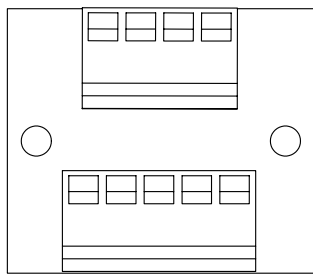
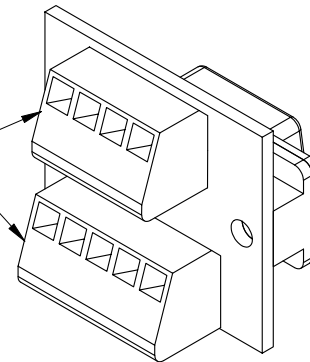
No.1 Bukit Batok Street 22 #01-01 Singapore 659592
 Tel: (65) 6561 0488 Fax: (65) 6562 0588
 Email: sales@scigate.com.sg Web: www.scigate.com.sg
 Business Hours: Monday - Friday 8.30am - 6.15pm



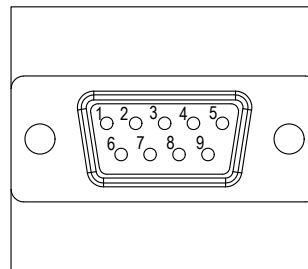
DB9 MALE OR FEMALE CONNECTOR
 (MALE CONNECTOR SHOWN)



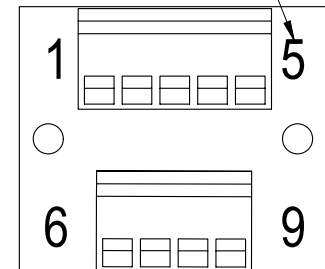
SCREW TERMINAL BLOCKS



DB9 MALE PIN OUTS
 STK# FSH02236



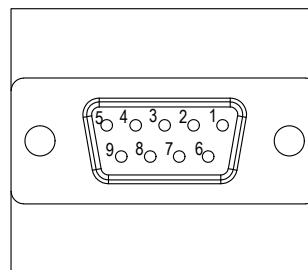
DB9 PIN
 CALLOUTS



SPECIFICATIONS

- Max Current: 1 Amp
- Operating & Storage Temperature:
 -40°F to 185°F [-40°C to 85°C]
- 95% Relative Humidity Non-Condensing

DB9 FEMALE PIN OUTS
 STK# FSH02237



DB9 PIN
 CALLOUTS

