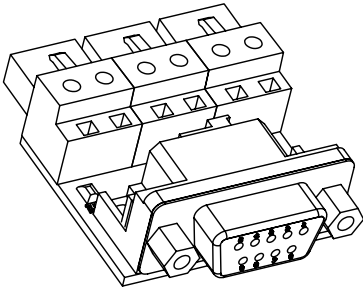


# FUTEK MODEL IAC160

# TEDS ADAPTER BOARD FOR IPM500/IPM490

Drawing Number: FI1254

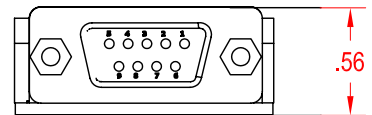
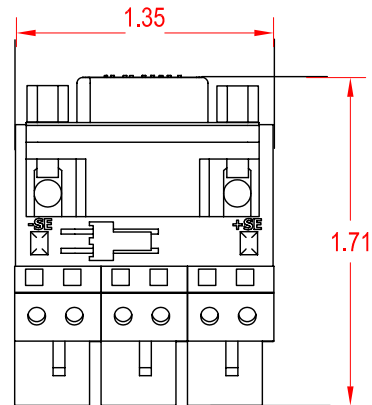
FOR USE WITH TEDS ENABLED SENSORS W/ MALE DB9 CONNECTORS



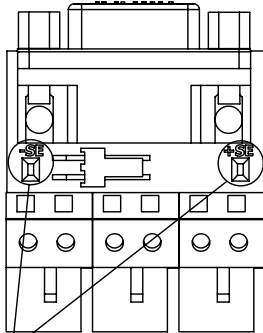
## FEATURES

- Supports 1451.4 TEDS (Transducer Electronic Data Sheet) Standard
- 1/4" 4-40 Threaded Lock Nuts
- Easy plug in configuration
- Pin Legend Printed On Connector Face
- Supports Futek IPM500 & IPM490
- 4 & 6 Wire Support (FSH02450 Only)

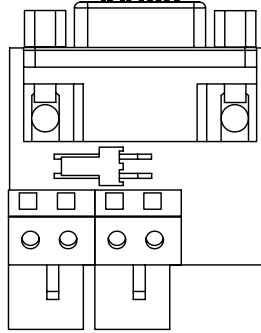
## DIMENSIONS



FSH02450 (IPM500)

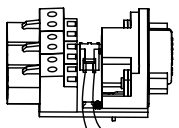


FSH02451 (IPM490)



SOLDER FOR 4 WIRE OPERATION, OPEN FOR 6 WIRE OPERATION

## INCLUDED CABLE FOR IPM500/IPM490 CONNECTION



GREEN (TEDS DATA)

BLACK (TEDS GND)

## LEGEND PRINTED ON BACK

	PIN CONNECTIONS	
	FSH02450	FSH02451
+EXCITATION	2	2
-EXCITATION	7	7
+SENSE	4	N/A
-SENSE	8	N/A
+SIGNAL	1	1
-SIGNAL	6	6
TEDS DATA	5	5
TEDS GND	9	9



SCIGATE AUTOMATION (S) PTE LTD

No.1 Bukit Batok Street 22 #01-01 Singapore 659592

Tel: (65) 6561 0488

Fax: (65) 6562 0588

Email: sales@scigate.com.sg

Web: www.scigate.com.sg

Business Hours: Monday - Friday 8.30am - 6.15pm