

**FUTEK MODEL IBT490**  
**STOCK NUMBER: FSH02550**

**Drawing Number: FI1270**

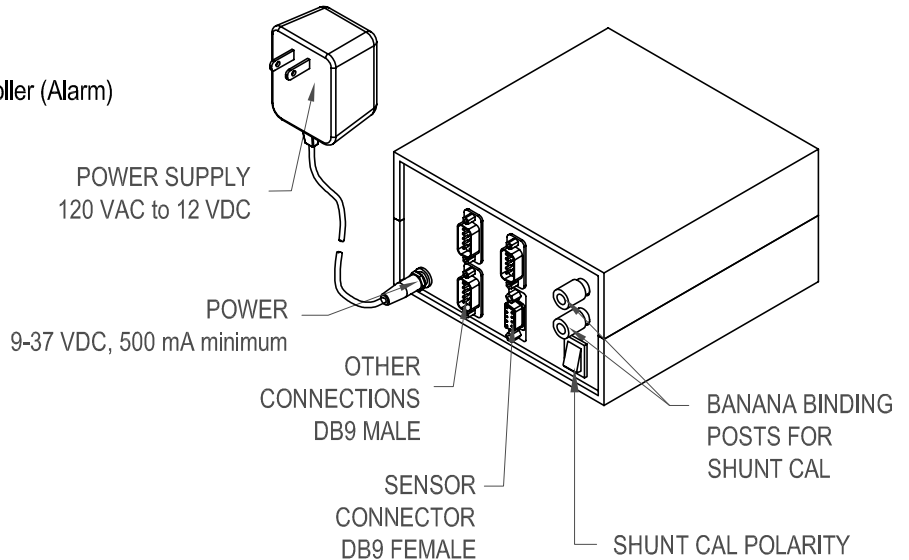
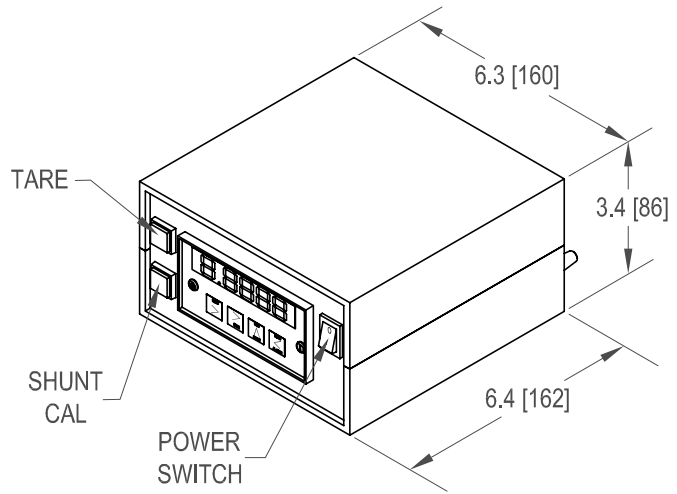
**INCH [mm] | R.O.= Rated Output**

# BENCH TOP DIGITAL DISPLAY

W/ TEDS, RS232, ANALOG OUTPUT, and ALARMS / RELAYS  
 FOR USE W/ ANY VDC OR mA SENSOR

## FEATURES:

- 60 Conversions per second
- Scaleable to 5 digits.  $\pm 99,999$
- 120 VAC Wall Socket Power Supply Converter to 12 VDC Included
- Jumper selected excitation to power sensors  
 5 VDC @ 50 mA max. (default),  
 10VDC @ 120 mA max.  
 24 VDC @ 40 mA max.
- Jumper selected voltage input from sensor:  
 200mV, 2V, 20V (default), 200V, 660V
- Jumper selected current input from sensor:  
 2mA, 20mA, 200mA, 5A
- Front Push Button Tare and Shunt Cal
- Shunt Cal Resistor for Calibration
- DB9 Female Connector for Sensor
- DB9 Male Connector for Analog Output  
 0 to 10 Vdc or 0 to 20 mA
- DB9 Male Connector for Dual setpoint controller (Alarm)  
 w/2 Form C contact relays: 5 Amp Max
- DB9 Male Connector for RS232
- RS232 Baud rates from 300 to 19,200
- Includes 3 DB9 Female & 1 DB9 Male Connectors w/ Enclosures
- Weight: 1.75 lb [0.8 Kg]



## ENVIRONMENT:

- Operating Temperature: 32 °F to 130 °F [0 °C to 55 °C]
- Storage Temperature: -40 °F to 150 °F [-40 °C to 65 °C]
- Relative Humidity: 90% at 100 °F [38 °C]

## ACCESSORIES

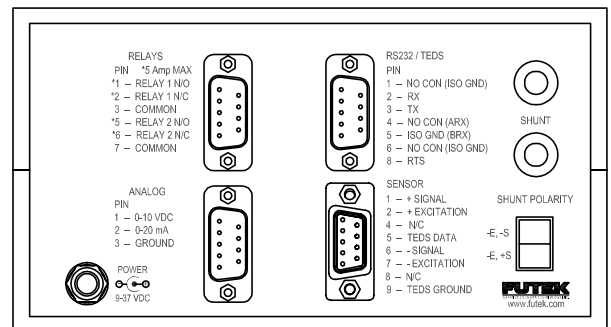
- GOD00681 (RP13431)- 110 -220 VAC, 30W, 50-60 Hz Power Supply
- GOD00682 (RP13432)- Power Supply AC Cord



PLASTIC FEET



BAIL LIFT STAND



**SCIENCE GATE**  
 Your Automation Partner

**SCIGATE AUTOMATION (S) PTE LTD**  
 No. 1 Bukit Batok Street 22 #01-01 Singapore 659592  
 Tel: (65) 6561 0488 Fax: (65) 6562 0588  
 Email: sales@scigate.com.sg Web: www.scigate.com.sg  
 Business Hours: Monday - Friday 8.30am - 6.15pm

**FUTEK**  
 ADVANCED SENSOR TECHNOLOGY, INC.

This drawing is submitted solely for the information and exclusive use of the original addressee. It is not to be divulged in whole or in part, by any firm or individual without written permission from FUTEK  
**CAGE CODE # 1X8M6**

**10 THOMAS**  
**IRVINE, CA 92618 USA**  
**1-800-23-FUTEK (38835)**

**INTERNET:**  
<http://www.futek.com>