

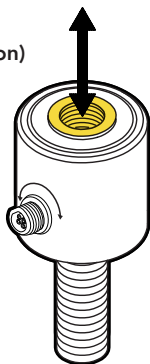


FEATURES

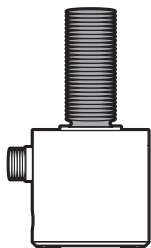
- Fast Response Rate (μ s)
- Low deflection, light weight
- For use in both tension and compression
- Can easily thread in line into a threaded rod or actuator
- Quick Disconnect
- Water Resistant and Outdoor Rated
- Environmental Protection

Active end

- + Output (tension)
- Output (compression)



Fixed end



SPECIFICATIONS

PERFORMANCE

Nonlinearity	$\pm 0.5\%$ of RO
Hysteresis	$\pm 0.5\%$ of RO
Nonrepeatability	$\pm 0.1\%$ of RO

ELECTRICAL

Rated Output (RO)	1 mV/V (1000 lb) 2 mV/V (2000 lb) 3 mV/V (3000 lb)
Excitation (VDC or VAC)	18 max
Bridge Resistance	1000 Ohm nom
Insulation Resistance	≥ 500 MOhm @ 50 VDC
Connection	4 Position Micro Receptacle
Wiring Code	CC19

MECHANICAL

Weight	3.5 oz [99 g]
Safe Overload	150% of RO
Material	17-4 PH stainless-steel
IP Rating	IP64

TEMPERATURE

Operating Temperature	-45 to 200°F [-42 to 93°C]
Compensated Temperature	60 to 160°F [15 to 72°C]
Temperature Shift Zero	$\pm 0.005\%$ of RO/°F [0.01% of RO/°C]
Temperature Shift Span	$\pm 0.01\%$ of Load/°F [0.018% of Load/°C]

CALIBRATION

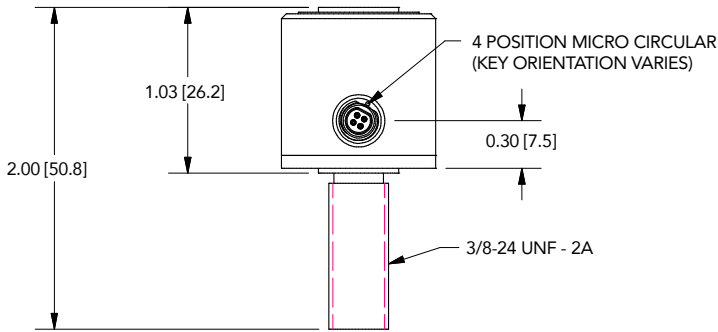
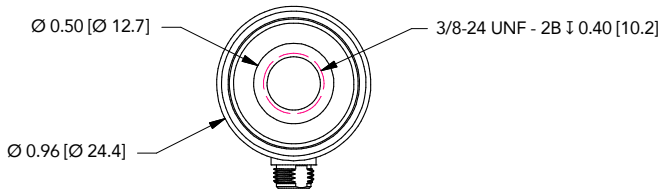
Calibration Test Excitation	10 VDC
Calibration (standard)	5-pt tension
Calibration (available)	Compression
Shunt Calibration Value	301 kOhm (1000 lb) 150 kOhm (2000 lb) 100 kOhm (3000 lb)

CONFORMITY

RoHS	EU 2015/863
CE	EN55011; EN61326-1

DIMENSIONS inches [mm]

TOLERANCE:
 .X ± 0.1" [2.5]
 .XX ± 0.01" [0.25]
 .XXX ± 0.005" [0.127]



FUTEK 4 PIN MICRO CIRCULAR (CC19)

1	+ EXCITATION	Red
2	- EXCITATION	Black
3	- SIGNAL	White
4	+ SIGNAL	Green



CAPACITIES

ITEM #	lb	N	Deflection (in)	Natural Frequency (Hz)
FSH04646	1000	4448	0.0005	21100
FSH04647	2000	8896	0.0010	21100
FSH04648	3000	13344	0.0015	21100



SCIGATE AUTOMATION (S) PTE LTD

No.1 Bukit Batok Street 22 #01-01 Singapore 659592
 Tel: (65) 6561 0488 Fax: (65) 6562 0588
 Email: sales@scigate.com.sg Web: www.scigate.com.sg
 Business Hours: Monday - Friday 8.30am - 6.15pm

Drawing Number: F11546

FUTEK reserves the right to modify its design and specifications without notice.
 Please visit www.futek.com/salesterms for complete terms and conditions.

10 Thomas, Irvine, CA 92618 USA
 Tel: (949) 465-0900

www.futek.com



R0HS



U.S. Manufacturer