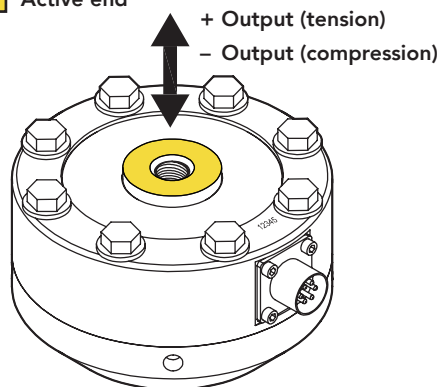




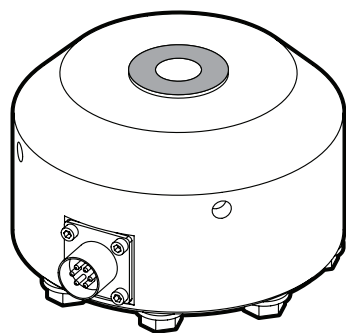
## FEATURES

- Low profile design with tension base
- Amplified version available
- Utilizes metal foil strain gauge technology
- Highly resistant to off-axis loading

### Active end



### Fixed end



## SPECIFICATIONS

### PERFORMANCE

Nonlinearity	±0.1% of RO
Hysteresis	±0.2% of RO
Nonrepeatability	±0.02% of RO

### ELECTRICAL

Rated Output (RO)	1 mV/V nom
Excitation (VDC or VAC)	20 max
Bridge Resistance	700 Ohm nom
Insulation Resistance	≥500 MOhm @ 50 VDC
Connection	6 Pin BENDIX Receptacle (PT02E)
Connector Code	CC1 Standard/CC1T

### MECHANICAL

Weight (approximate)	2.5 lb [1.1 kg] (250-1000 lb) 6.9 lb [3.2 kg] (2500-5000 lb)
Safe Overload	150% of RO
Material	Anodized aluminum (250-1000 lb) 17-4 PH stainless-steel (2500-5000 lb)
IP Rating	IP65

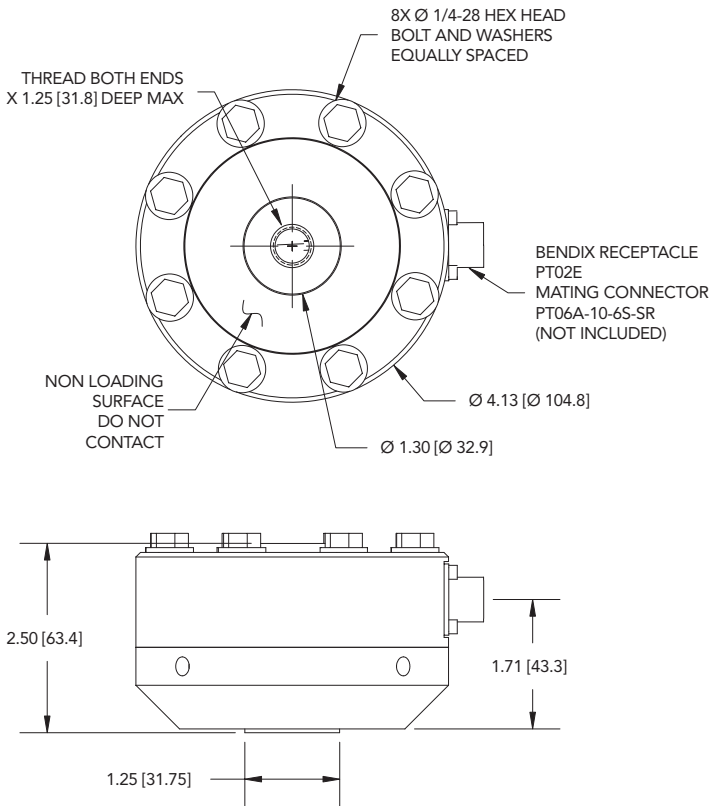
### TEMPERATURE

Operating Temperature	-60 to 200°F [-50 to 93°C]
Compensated Temperature	60 to 160°F [15 to 72°C]
Temperature Shift Zero	±0.001% of RO/°F [0.0018% of RO/°C]
Temperature Shift Span	±0.002% of Load/°F [0.0036% of Load/°C]

### CALIBRATION

Calibration Test Excitation	10 VDC
Calibration (standard)	5-pt compression
Calibration (available)	5-pt tension
Shunt Calibration Value	200 kOhm

## DIMENSIONS inches [mm]

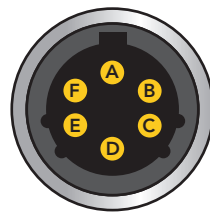


## CAPACITIES

ITEM #	lb	N	Thread	TEDS	Deflection (in)	Natural Frequency (Hz)
FSH04326	250	1112	5/8-18		0.0002	9000
FSH04331			M16 X 2			
FSH04336			5/8-18	X		
FSH04341			M16 X 2	X		
FSH04327	500	2224	5/8-18		0.0005	7000
FSH04332			M16 X 2			
FSH04337			5/8-18	X		
FSH04342			M16 X 2	X		
FSH04328	1000	4448	5/8-18		0.0005	9900
FSH04333			M16 X 2			
FSH04338			5/8-18	X		
FSH04343			M16 X 2	X		
FSH04329	2500	11120	5/8-18		0.001	7000
FSH04334			M16 X 2			
FSH04339			5/8-18	X		
FSH04344			M16 X 2	X		
FSH04330	5000	22240	5/8-18		0.002	7000
FSH04335			M16 X 2			
FSH04340			5/8-18	X		
FSH04345			M16 X 2	X		

## BENDIX 6-PIN

PIN	COLOR	CC1	CC1T
A	Red	+ Excitation	+ Excitation
B	Black	- Excitation	- Excitation
C	Green	+ Signal	+ Signal
D	White	- Signal	- Signal
E	Orange	+ Sense	TEDS Data
F	Blue	- Sense	TEDS GND



Sensor Receptacle View



### SCIGATE AUTOMATION (S) PTE LTD

No.1 Bukit Batok Street 22 #01-01 Singapore 659592  
 Tel: (65) 6561 0488 Fax: (65) 6562 0588  
 Email: sales@scigate.com.sg Web: www.scigate.com.sg  
 Business Hours: Monday - Friday 8.30am - 6.15pm

Drawing Number: F11464

FUTEK reserves the right to modify its design and specifications without notice. Please visit [www.futek.com/salesterms](http://www.futek.com/salesterms) for complete terms and conditions.

10 Thomas, Irvine, CA 92618 USA

Tel: (949) 465-0900  
 Fax: (949) 465-0905

[www.futek.com](http://www.futek.com)



U.S. Manufacturer