

FUTEK MODEL LCF706


FATIGUE RATED LOW PROFILE UNIVERSAL PANCAKE LOAD CELL w/ TENSION BASE

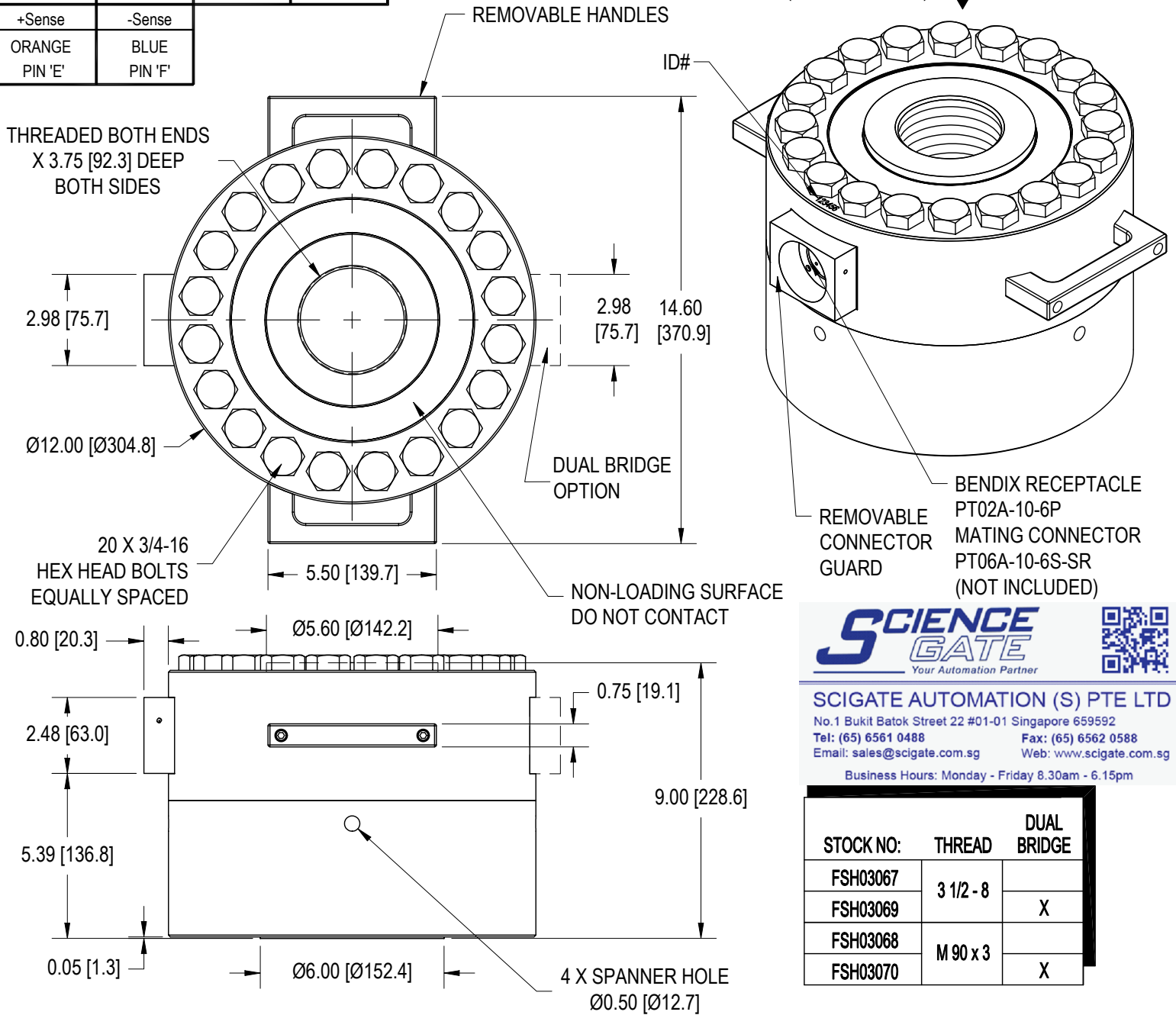
Drawing Number: F11240-A

INCH [mm] | R.O.= Rated Output

WIRING CODE (CC1)

+Excitation	-Excitation	+Signal	-Signal
RED	BLACK	GREEN	WHITE
PIN 'A'	PIN 'B'	PIN 'C'	PIN 'D'
+Sense	-Sense		
ORANGE	BLUE		
PIN 'E'	PIN 'F'		

+OUTPUT
(TENSION) 
-OUTPUT
(COMPRESSION)



SCIGATE AUTOMATION (S) PTE LTD

No.1 Bukit Batok Street 22 #01-01 Singapore 659592
Tel: (65) 6561 0488 Fax: (65) 6562 0588
Email: sales@scigate.com.sg Web: www.scigate.com.sg
Business Hours: Monday - Friday 8.30am - 6.15pm

STOCK NO:	THREAD	DUAL BRIDGE
FSH03067	3 1/2 - 8	
FSH03069		X
FSH03068	M 90 x 3	
FSH03070		X

SPECIFICATIONS:

RATED OUTPUT 2 mV/V nom.
CAPACITY 200 Klb [900 kN]
SAFE OVERLOAD 150% of R.O.
ZERO BALANCE ±1% of R.O.
EXCITATION (VDC OR VAC) 20 VDC MAX
BRIDGE RESISTANCE 350 Ω nom.
NONLINEARITY ±0.2% of R.O.
HYSTERESIS ±0.2% of R.O.
NONREPEATABILITY ±0.02% of R.O.

TEMP. SHIFT ZERO ±0.005% of R.O./°F (0.009% of R.O./°C)
TEMP. SHIFT SPAN ±0.005% of LOAD/°F (0.009% of LOAD/°C)
COMPENSATED TEMP. 60 to 160°F (15 to 72°C)
OPERATING TEMP. -60 to 200°F (-50 to 93°C)
WEIGHT 230 lb
MATERIAL 17-4PH S.S.
CONNECTOR: 6 Pin BENDIX Receptacle (PT02A-10-6P)
CALIBRATION (STD) 5 pt. COMPRESSION; 60.4 KΩ SHUNT CAL VALUE
CALIBRATION TEST EXCITATION 10 VDC