



**FEATURES**

- Fast ( $\mu$ s) response time
- 17-4 PH stainless-steel construction
- Environmental Protection, IP67 Rated
- Water Resistant and Outdoor Rated
- Low power consumption
- Quick Disconnect Cable
- Compact Size with bottom mounting provisions
- Notable non-linearity & non-repeatability

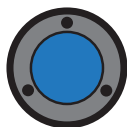
 Non-loading surface, do not contact

 Active End

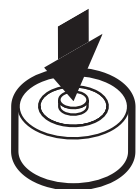
 Fixed End



Top view



Bottom view



+ Output (compression)

**SPECIFICATIONS**

**PERFORMANCE**

Nonlinearity	$\pm 0.25\%$ of RO
Hysteresis	$\pm 0.25\%$ of RO
Nonrepeatability	$\pm 0.1\%$ of RO

**ELECTRICAL**

Rated Output (RO)	2 mV/V nom
Excitation (VDC or VAC)	18 max
Bridge Resistance	700 Ohm nom
Insulation Resistance	$\geq 500$ MOhm @ 50 VDC
Connection	4 Position Micro Receptacle
Wiring/Connector Code	CC19

**MECHANICAL**

Weight (approximate)	40 oz [1.1 kg]
Safe Overload	150% of RO
Deflection	0.0058"
Material	17-4 PH stainless-steel
IP Rating	IP67

**TEMPERATURE**

Operating Temperature	-60 to 200°F [-50 to 93°C]
Compensated Temperature	60 to 160°F [15 to 72°C]
Temperature Shift Zero	$\pm 0.005\%$ of RO/°F [0.009% of RO/°C]
Temperature Shift Span	$\pm 0.005\%$ of LOAD/°F [0.009% of LOAD/°C]

**CALIBRATION**

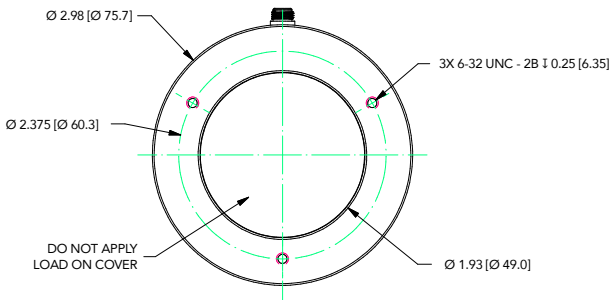
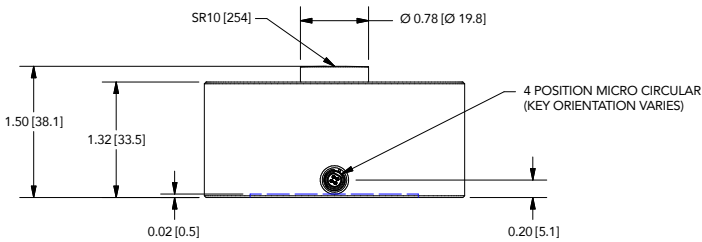
Calibration Test Excitation	10 VDC
Calibration (standard)	5-pt Compression
Shunt Calibration Value	100 kOhm

**CONFORMITY**

RoHS	EU 2015/863
CE	EN55011; EN61326-1

## DIMENSIONS inches [mm]

TOLERANCE:  
 .X ± 0.1" [2.5 mm]  
 .XX ± 0.01" [0.25 mm]  
 .XXX ± 0.005" [0.127 mm]



## FUTEK 4 PIN MICRO CIRCULAR (CC19)

1	+ EXCITATION	Red
2	- EXCITATION	Black
3	- SIGNAL	White
4	+ SIGNAL	Green



## CAPACITIES

ITEM #	lb	N	FZ Deflection (in)	Natural Frequency (kHz)
FSH04536	50k	222400	0.0058	22.7



## SCIGATE AUTOMATION (S) PTE LTD

No.1 Bukit Batok Street 22 #01-01 Singapore 659592

Tel: (65) 6561 0488

Fax: (65) 6562 0588

Email: sales@scigate.com.sg

Web: www.scigate.com.sg

Business Hours: Monday - Friday 8.30am - 6.15pm

Drawing Number: FI1533

FUTEK reserves the right to modify its design and specifications without notice. Please visit [www.futek.com/salesterms](http://www.futek.com/salesterms) for complete terms and conditions.

10 Thomas, Irvine, CA 92618 USA  
 Tel: (949) 465-0900

[www.futek.com](http://www.futek.com)



R0HS



U.S. Manufacturer