

FUTEK MODEL L2706

LOAD WASHER LOAD CELL

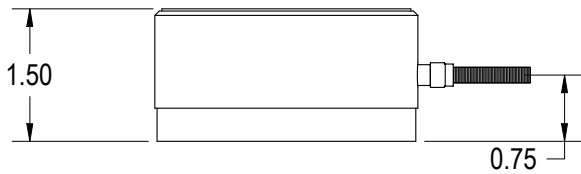
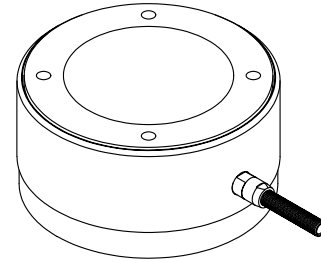
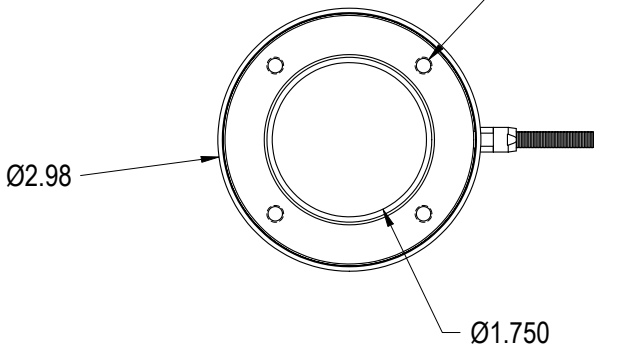
Drawing Number: F1426-03

INCH [mm] | R.O.= Rated Output

WIRING CODE

+Excitation	-Excitation	+Signal	-Signal
RED	BLACK	GREEN	WHITE

4X #10-32-2B X 0.31 DEEP
EQUALLY SPACED ON
0.84 B.C.D.



SPECIFICATIONS:

RATED OUTPUT	0.8 mV/V nominal (FATIGUE RATED)
CAPACITY	2000
lb	907
Kg	
SAFE OVERLOAD	150% of R.O.
ZERO BALANCE	±3% of R.O.
EXCITATION (VDC OR VAC)	18 VDC MAX
BRIDGE RESISTANCE	500/700 Ω nom.
NONLINEARITY	±1% of R.O.
HYSTERESIS	±1% of R.O.
NONREPEATABILITY	±0.2% of R.O.
TEMP. SHIFT ZERO	0.005% of LOAD/°F (0.009% of R.O./°C)
TEMP. SHIFT SPAN	0.005% of LOAD/°F (0.009% of R.O./°C)
COMPENSATED TEMP.	60 to 160°F (15 to 82°C)
OPERATING TEMP.	-60 to 212°F (-50 to 100°C)
WEIGHT	7 oz [198 g]
MATERIAL	ANODIZED ALUMINUM
CABLE: #26 AWG, 4 Conductor, Braided Shielded Teflon Cable 5 ft [1.5 m] Long	
ACCESSORIES AND RELATED INSTRUMENTS AVAILABLE	
CALIBRATION (STD)	5 pt. COMPRESSION; 100 KΩ SHUNT CAL. VALUE
CALIBRATION TEST EXCITATION	10 VDC



SCIGATE AUTOMATION (S) PTE LTD

No. 1 Bukit Batok Street 22 #01-01 Singapore 659592
 Tel: (65) 6561 0488 Fax: (65) 6562 0588
 Email: sales@scigate.com.sg Web: www.scigate.com.sg
 Business Hours: Monday - Friday 8.30am - 6.15pm



This drawing is submitted solely for the information and exclusive use of the original addressee. It is not to be divulged in whole or in part, by any firm or individual without written permission from FUTEK

10 THOMAS
 IRVINE, CA 92618 USA
 1-800-23-FUTEK (38835)

INTERNET:
<http://www.futek.com>