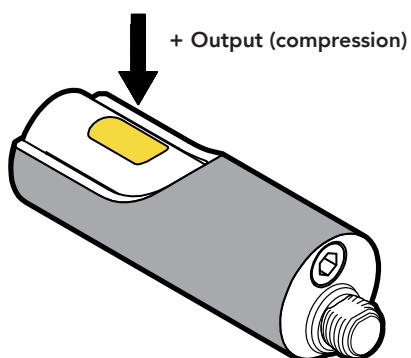




FEATURES

- Ideal for automotive and medical pinch force applications
- Complies with Federal Motor Vehicle Safety Standard FMVSS 118
- Slim design to mimic the size of a finger
- Strain gauge based technology with lightweight aluminum body
- Integrated [IEEE1451.4 TEDs](#) for Plug and Play with compatible instruments
- Embedded [PT-1000 temperature sensor](#)

- Active end
- Fixed end



SPECIFICATIONS

PERFORMANCE

Nonlinearity	±0.15% of RO
--------------	--------------

ELECTRICAL

Rated Output (RO)	2 mV/V
-------------------	--------

Excitation (VDC or VAC)	12 max
-------------------------	--------

Bridge Resistance	1000 Ohm nom
-------------------	--------------

Insulation Resistance	≥500 MOhm @ 50 VDC
-----------------------	--------------------

Connection	FUTEK 11-PIN Connector
------------	------------------------

Wiring Code	CC20
-------------	------

Temperature Sensor Current Range	0.1 to 0.3 mA
----------------------------------	---------------

MECHANICAL

Weight	0.7 oz [20 g]
--------	---------------

Safe Overload	200% of RO
---------------	------------

Material	Aluminum, red anodized
----------	------------------------

IP Rating	IP40
-----------	------

TEMPERATURE

Operating Temperature	0 to 160°F [-18 to 72°C]
-----------------------	--------------------------

Compensated Temperature	60 to 160°F [15 to 72°C]
-------------------------	--------------------------

Temperature Shift Zero	±0.01% of RO/°F [0.018% of RO/°C]
------------------------	-----------------------------------

Temperature Shift Span	±0.02% of Load/°F [0.036% of Load/°C]
------------------------	---------------------------------------

CALIBRATION

Calibration Test Excitation	10 VDC
-----------------------------	--------

Calibration (standard)	5-pt compression
------------------------	------------------

Shunt Calibration Value	150 kOhm
-------------------------	----------

CONFORMITY

RoHS	EU 2015/863
------	-------------

CE	EN55011; EN61326-1
----	--------------------

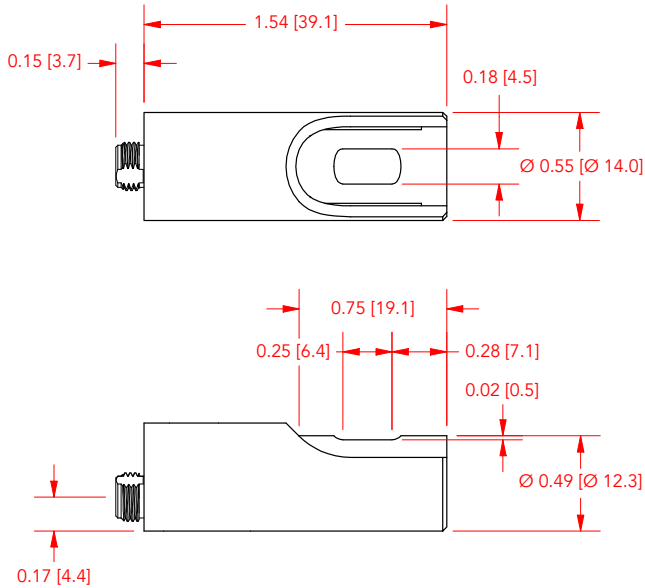
RTD Sensor	Compliant to DIN EN60751
------------	--------------------------

RTD Tolerance Class	F0.3 (Class B) =
---------------------	------------------

	± (0.3 + 0.005 x Temperature (°C))
--	--

DIMENSIONS inches [mm]

TOLERANCE:
 .X ± 0.1" [2.5 mm]
 .XX ± 0.01" [0.25 mm]
 .XXX ± 0.005" [0.127 mm]



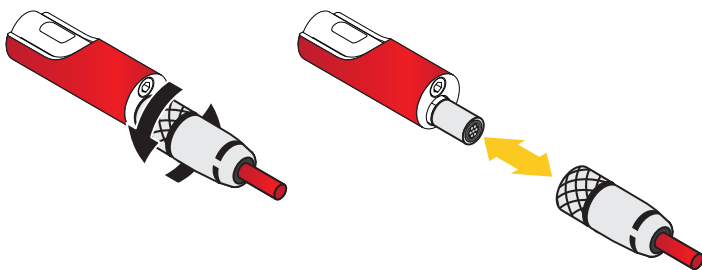
*MATING CABLE SOLD SEPARATELY

CAPACITIES

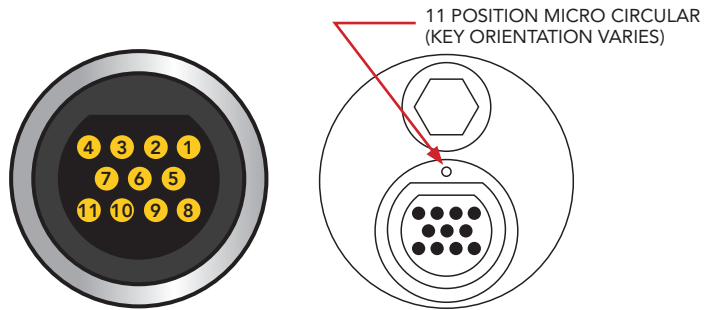
ITEM #	lb	N	Deflection (in)	Natural Frequency (Hz)
FSH04633	50	222	0.004	6300

WIRING CODE FUTEK 11-PIN CONNECTOR

PIN	DESCRIPTION	COLOR
1	+ Excitation	Red
2	+ Signal	Green
3	- Signal	White
4	- Excitation	Black
5	TEDS Data	Orange
6	TEDS Return	Blue
7	Temperature Data	Brown
8	Temperature Data	Gray
9	NC	Violet
10	NC	Yellow
11	NC	Clear



Note: In mated condition, the coupling nut must be threaded clockwise to secure. To demate, rotate counter-clockwise before disconnecting the cable.



SCIGATE AUTOMATION (S) PTE LTD

No.1 Bukit Batok Street 22 #01-01 Singapore 659592
 Tel: (65) 6561 0488 Fax: (65) 6562 0588
 Email: sales@scigate.com.sg Web: www.scigate.com.sg
 Business Hours: Monday - Friday 8.30am - 6.15pm

Drawing Number: F11550-A

FUTEK reserves the right to modify its design and specifications without notice. Please visit www.futek.com/salesterms for complete terms and conditions.

10 Thomas, Irvine, CA 92618 USA
 Tel: (949) 465-0900

www.futek.com



R0HS



U.S. Manufacturer