

FUTEK MODEL LMD500  
STK# FSH00127

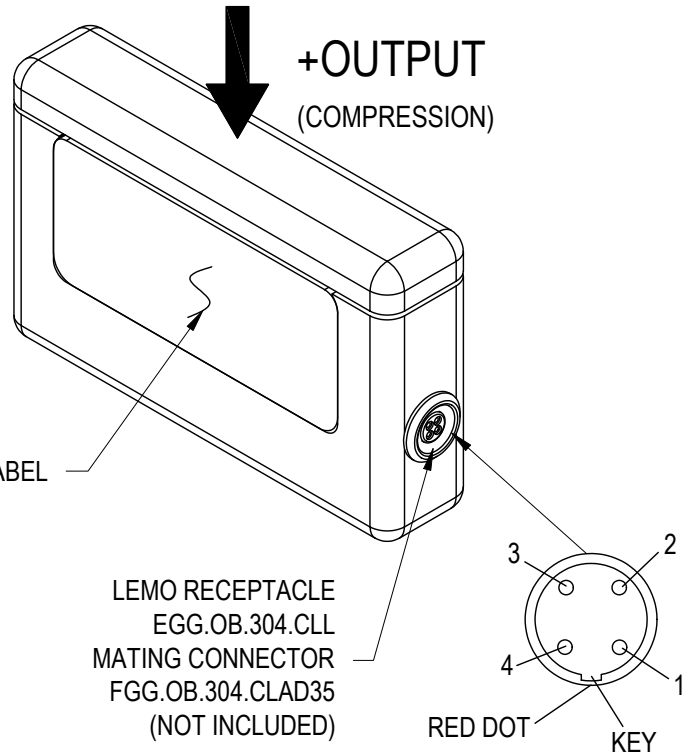
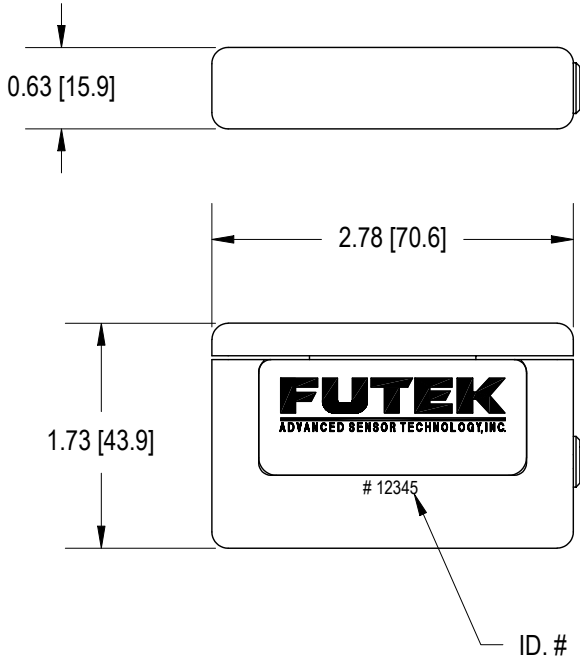
# HAND GRIPPER

(Previously L1000)

Drawing Number: FI1118-A

INCH (mm) | R.O.= Rated Output

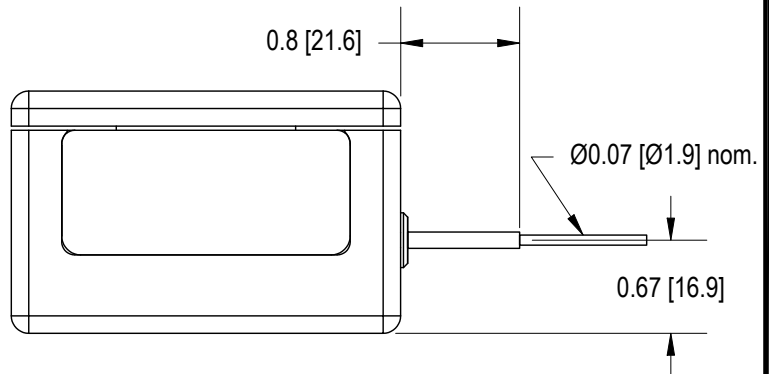
WIRING CODE (CC4)			
+Excitation	-Excitation	+Signal	-Signal
1	4	2	3



Cable Option - STK# FSH00125  
#29 AWG, 4 Conductor, Spiral Shielded Teflon Cable, 10 ft (3 m)

WIRING CODE (WC1)

+Excitation	-Excitation	+Signal	-Signal
RED	BLACK	GREEN	WHITE



## SPECIFICATIONS:

RATED OUTPUT	3 mV/V nom.
CAPACITY lb	300
N	1334
SAFE OVERLOAD	150% of R.O.
ZERO BALANCE	±3% of R.O.
EXCITATION (VDC OR VAC)	18 MAX
BRIDGE RESISTANCE	350 Ω nom.
NONLINEARITY	±0.25% of R.O.
HYSTERESIS	±0.25% of R.O.
TEMP. SHIFT ZERO	±0.02% of R.O./°F [0.036% of R.O./°C]
TEMP. SHIFT SPAN	±0.02% of LOAD/°F [0.036% of LOAD/°C]
COMPENSATED TEMP.	60 to 160°F [15 to 72°C]
OPERATING TEMP.	-60 to 200°F [-50 to 93°C]
WEIGHT	3.6 oz [102 g]
MATERIAL	ALUMINUM
DEFLECTION	0.002 [0.05] nom.
CONNECTOR: 4 PIN LEMO RECEPTACLE (EGG.OB.304.CLL)	
ACCESSORIES AND RELATED INSTRUMENTS AVAILABLE	
CALIBRATION (STD)	2 pt. COMPRESSION; 43.575KΩ SHUNT CAL. VALUE
CALIBRATION TEST EXCITATION	10 VDC

**SCIENCE GATE**  
Your Automation Partner



SCIGATE AUTOMATION (S) PTE LTD

No.1 Bukit Batok Street 22 #01-01 Singapore 659592  
Tel: (65) 6561 0488 Fax: (65) 6562 0588  
Email: sales@scigate.com.sg Web: www.scigate.com.sg

Business Hours: Monday - Friday 8.30am - 6.15pm

**FUTEK**  
ADVANCED SENSOR TECHNOLOGY, INC.

This drawing is submitted solely for the information and exclusive use of the original addressee. It is not to be divulged in whole or in part, by any firm or individual without written permission from FUTEK

10 THOMAS  
IRVINE, CA 92618 USA  
1-800-23-FUTEK (38835)

INTERNET:  
<http://www.futek.com>