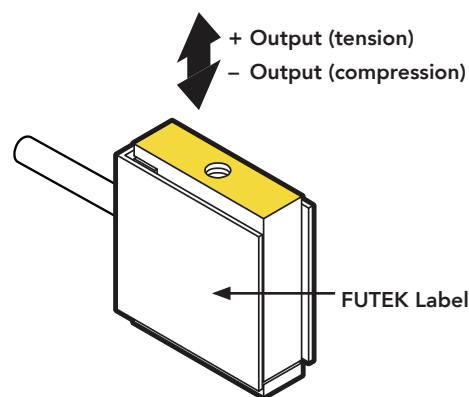


## FEATURES

- Up to 10 times the overload protection
- Overload is available in Tension and Compression
- Light weight
- Notable nonlinearity
- Miniature size

Active end



## SPECIFICATIONS

### PERFORMANCE

Nonlinearity	±0.1% of RO
Hysteresis	±0.1% of RO
Nonrepeatability	±0.05% of RO

### ELECTRICAL

Rated Output (RO)	See chart on third page
Excitation (VDC or VAC)	10 max
Bridge Resistance	See chart on third page
Insulation Resistance	≥500 MOhm @ 50 VDC
Connection	#29 AWG, 4 conductor, spiral shielded silicone cable, 5 ft [1.5 m] long
Wiring Code	WC1

### MECHANICAL

Weight (approximate)	0.7 oz [19.3 g] (10 g–10 lb) 0.9 oz [24.7 g] (25–100 lb)
Safe Overload	1000% of RO
Material	Aluminum (10–250 g)
IP Rating	IP40

### TEMPERATURE

Operating Temperature	-60 to 200°F [-50 to 93°C]
Compensated Temperature	60 to 160°F [15 to 72°C]
Temperature Shift Zero	±0.01% of RO/°F [0.018% of RO/°C]
Temperature Shift Span	±0.02% of Load/°F [0.036% of Load/°C]

### CALIBRATION

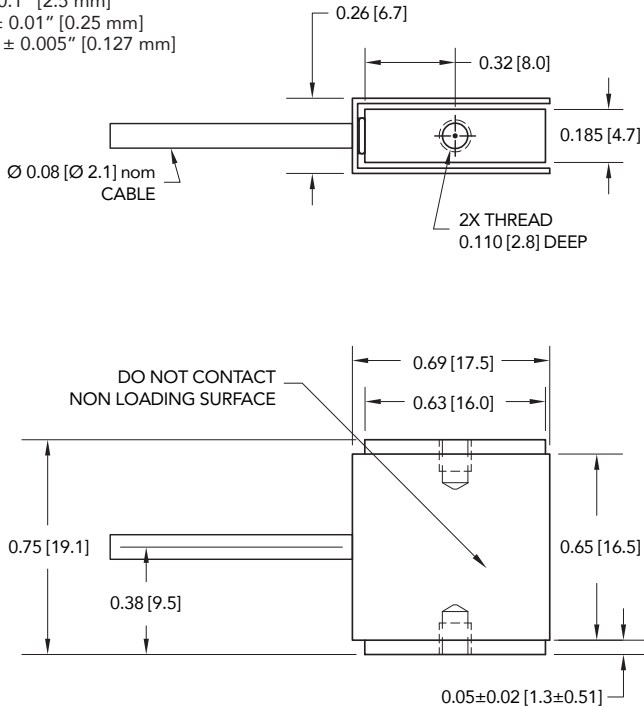
Calibration Test Excitation	5 VDC
Calibration (standard)	5-pt Tension
Calibration (available)	Compression

### CONFORMITY

RoHS	EU 2015/863
CE	EN55011; EN61326-1

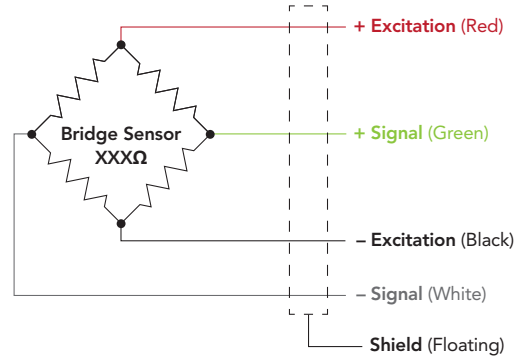
## DIMENSIONS inches [mm]

TOLERANCE:  
 .X ± 0.1" [2.5 mm]  
 .XX ± 0.01" [0.25 mm]  
 .XXX ± 0.005" [0.127 mm]



## WIRING CODE (WC1)

RED	+ EXCITATION
BLACK	- EXCITATION
GREEN	+ SIGNAL
WHITE	- SIGNAL
SHIELD	FLOATING



## CAPACITIES

ITEM #	g	N	RO (nom)	Bridge Resistance	Shunt Calibration Value	Deflection (in.)	Natural Frequency (Hz)
FSH03867	10 g	0.1	0.5 mV/V	1000 Ohm nom	301 kOhm	0.004	140
FSH03868	20 g	0.2	1 mV/V			0.008	140
FSH03869	50 g	0.5	2 mV/V	150 kOhm	0.010	200	
FSH03870	100 g	1.0			0.008	300	
FSH03871	250 g	2.5			0.007	530	



## SCIGATE AUTOMATION (S) PTE LTD

No.1 Bukit Batok Street 22 #01-01 Singapore 659592

Tel: (65) 6561 0488

Fax: (65) 6562 0588

Email: sales@scigate.com.sg

Web: www.scigate.com.sg

Business Hours: Monday - Friday 8.30am - 6.15pm

Drawing Number: F11455-A

FUTEK reserves the right to modify its design and specifications without notice.

Please visit [www.futek.com/salesterms](http://www.futek.com/salesterms) for complete terms and conditions.

10 Thomas, Irvine, CA 92618 USA

Tel: (949) 465-0900

[www.futek.com](http://www.futek.com)



RoHS



U.S. Manufacturer