

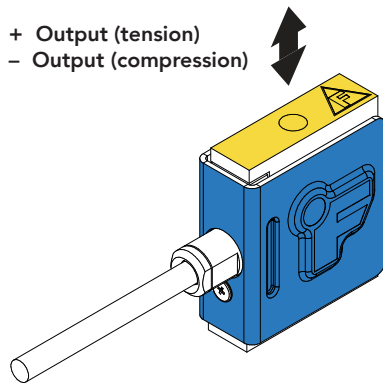


FEATURES

- Miniature package
- 200% to 1800% Built-in overload protection
- Fatigue rated construction
- State of the art performance
- Vibration and shock resistance
- High flex silicone cable
- Mechanical Strain Relief

-  Non-loading surface, do not contact
-  Active End



SPECIFICATIONS

PERFORMANCE

Nonlinearity	±0.1% of RO
Hysteresis	±0.1% of RO
Nonrepeatability	±0.05% of RO

ELECTRICAL

Rated Output (RO)	1 mV/V nom (250 g) 2 mV/V nom (1 - 100 lb)
Excitation (VDC or VAC)	10 max
Bridge Resistance	350 Ohm nom
Insulation Resistance	≥500 MOhm @ 50 VDC
Connection	#29 AWG, 4 conductor, spiral shielded silicone cable, 5 ft [1.5 m] long

Wiring Code	WC1
-------------	-----

MECHANICAL

Weight (approximate)	0.8 oz [22.6 g]
Safe Overload	1800% of RO (250 g) 1000% of RO (1-25 lb) 200% tension only (50-100 lb)

Material	17-4 PH SS (Body), AL anodized (Cover)
----------	--

IP Rating	IP40
-----------	------

Vibration Resistance	20-2000 Hz, 0.01g ² /Hz per MIL-STD-810E
----------------------	---

Shock Resistance	500 g per IEC60068-2-27
------------------	-------------------------

TEMPERATURE

Operating Temperature	-60 to 200°F [-50 to 93°C]
-----------------------	----------------------------

Compensated Temperature	60 to 160°F [15 to 72°C]
-------------------------	--------------------------

Temperature Shift Zero	±0.005% of RO/°F [0.009% of RO/°C]
------------------------	------------------------------------

Temperature Shift Span	±0.005% of Load/°F [0.009% of Load/°C]
------------------------	--

CALIBRATION

Calibration Test Excitation	5 VDC
-----------------------------	-------

Calibration (standard)	5-pt Tension
------------------------	--------------

Calibration (available)	5-pt Tension and Compression
-------------------------	------------------------------

Shunt Calibration Value	100 kOhm (250 g) 60.4 kOhm (1-100 lb)
-------------------------	--

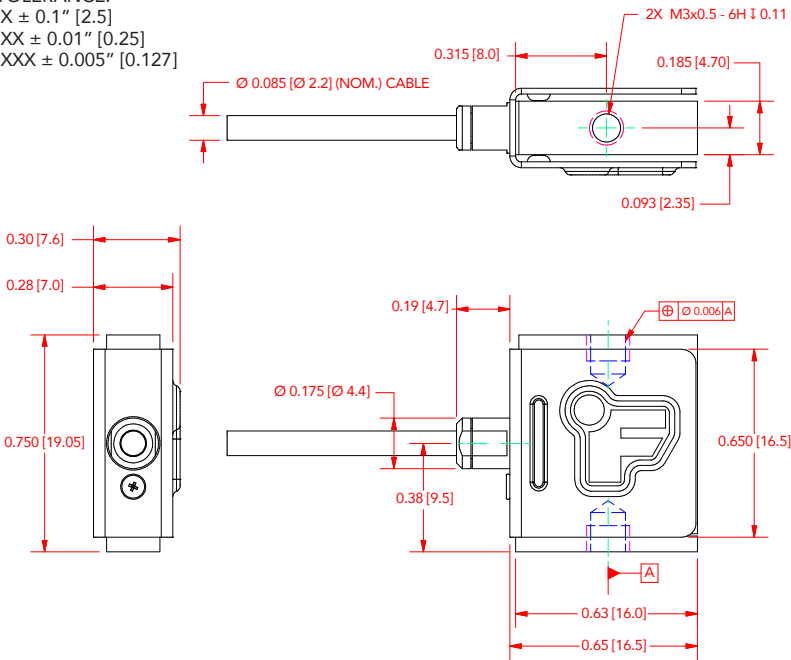
CONFORMITY

RoHS	EU 2015/863
------	-------------

CE	EN55011; EN61326-1
----	--------------------

DIMENSIONS inches [mm]

TOLERANCE:
 .X ± 0.1" [2.5]
 .XX ± 0.01" [0.25]
 .XXX ± 0.005" [0.127]

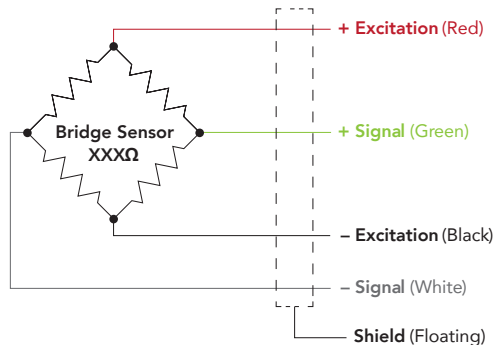


CAPACITIES

ITEM #	lb	N	Deflection (in)	Natural Frequency (Hz)
QSH02028	250 g	2.5	0.003	690
QSH02029	1	4.5	0.005	690
QSH02030	2	8.9	0.004	1180
QSH02031	5	22.2	0.003	2180
QSH02032	10	44.5	0.003	3010
QSH02033	25	111	0.003	5380
QSH02034	50	222	0.003	6620
QSH02035	100	445	0.004	8250

WIRING CODE (WC1)

RED	+ EXCITATION
BLACK	- EXCITATION
GREEN	+ SIGNAL
WHITE	- SIGNAL
SHIELD	FLOATING



SCIGATE AUTOMATION (S) PTE LTD

No.1 Bukit Batok Street 22 #01-01 Singapore 659592
 Tel: (65) 6561 0488 Fax: (65) 6562 0588
 Email: sales@scigate.com.sg Web: www.scigate.com.sg

Business Hours: Monday - Friday 8.30am - 6.15pm

Drawing Number: FI1514-A

FUTEK reserves the right to modify its design and specifications without notice.
 Please visit www.futek.com/salesterms for complete terms and conditions.

10 Thomas, Irvine, CA 92618 USA
 futek@futek.com

www.futek.com



RoHS



U.S. Manufacturer