

FUTEK MODEL LSB206

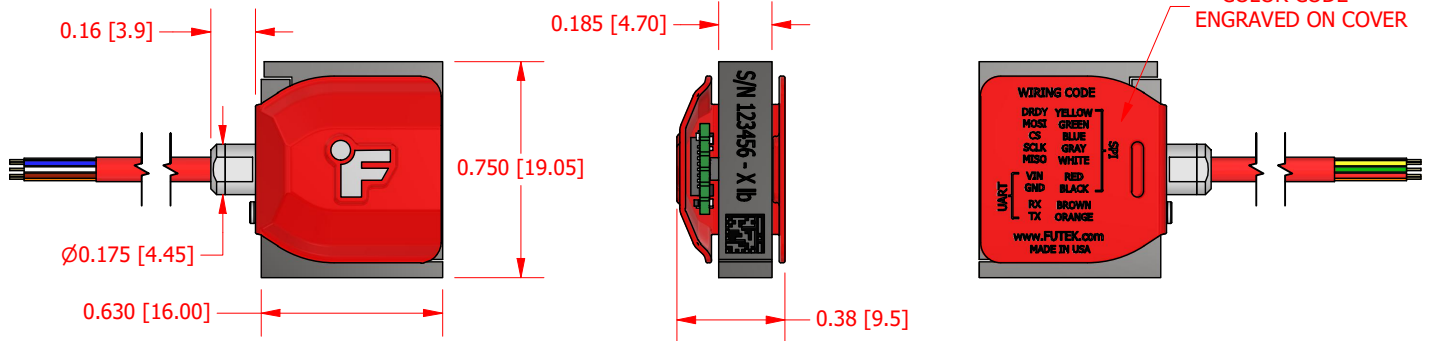
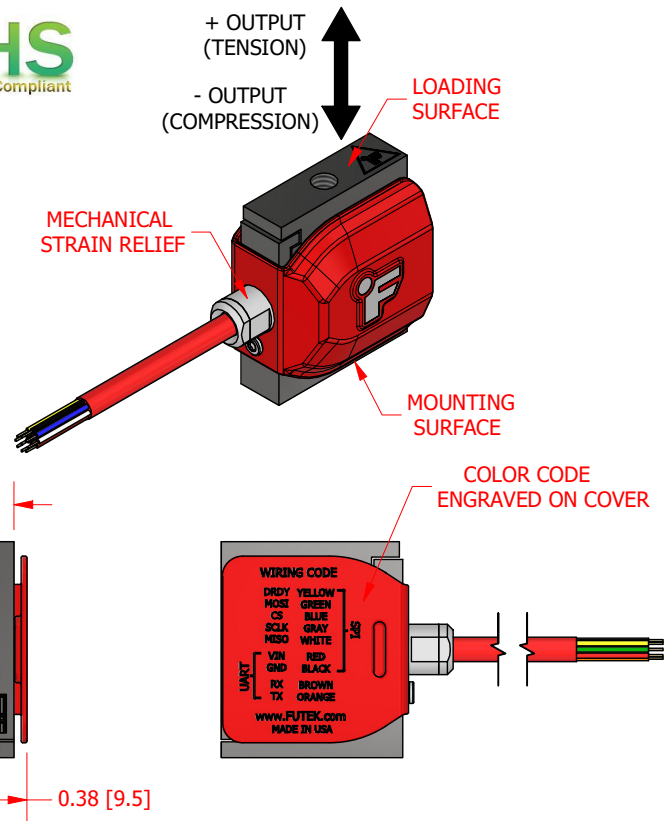
DIGITAL MINIATURE JR. S-BEAM LOAD CELL WITH SPI / UART OUTPUT

ITEM NUMBER: SEE CHART



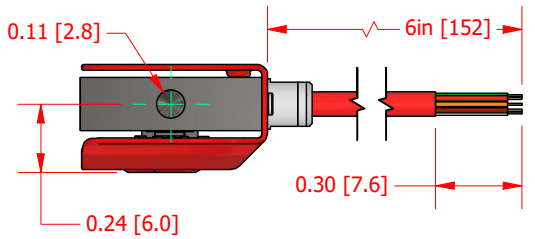
INCH [mm] | R.O.= Rated Output

Function	Pin	Color Code	⚠
SPI	MISO	White	
	MOSI	Green	
	CLK	Gray	
	CS	Blue	
	DRDY	Yellow	
Power	VIN	Red	
	GND	Black	
UART	RX	Brown	
	TX	Orange	



⚠ SPECIFICATIONS:

OUTPUT CAPACITY	SPI / UART SEE CHART
SAFE OVERLOAD	1000 % of R.O. [200% TENSION ONLY (50-100 LB)]
NONLINEARITY	±0.1% of R.O.
HYSTERESIS	±0.1% of R.O.
NONREPEATABILITY	±0.05% of R.O.
IP RATING	IP40
WEIGHT (approx)	0.03 lb [14.2 g]
MATERIAL	17-4 PH S.S.
CALIBRATION (STD)	5 pt. TENSION (STANDARD) TENSION & COMPRESSION (AVAILABLE)
CABLE: 32 AWG 10 CONDUCTOR SPIRAL SHEILED SILICONE JACKET, 6 in [152 mm] LONG	



ITEM #	CAP (lb[N])	Noise Free Resolution @ 4 SPS (lb[N])	Noise Free Resolution @ 1300 SPS (lb[N])
QSH02242	1 [4.5]	0.00005 [0.00022]	0.001 [0.004]
QSH02243	2 [9.0]	0.00025 [0.00111]	0.003 [0.013]
QSH02244	5 [22.4]	0.001 [0.004]	0.009 [0.040]
QSH02245	10 [44.8]	0.0016 [0.0071]	0.02 [0.09]
QSH02246	25 [112]	0.004 [0.0178]	0.05 [0.22]
QSH02247	50 [224]	0.005 [0.0223]	0.08 [0.36]
QSH02248	100 [448]	0.008 [0.036]	0.35 [1.5]



SCIGATE AUTOMATION (S) PTE LTD
 No.1 Bukit Batok Street 22 #01-01 Singapore 659592
 Tel: (65) 6561 0488 Fax: (65) 6562 0588
 Email: sales@scigate.com.sg Web: www.scigate.com.sg
 Business Hours: Monday - Friday 8.30am - 6.15pm



Specifications:

- Power:
- 3 VDC to 5VDC
 - 20-40mV peak-to-peak ripple in pass band
 - 20MHz bandwidth (cutoff 40dB @ 20MHz)
 - Power Consumption: 78mW

CUSTOMER APPROVAL- COMPANY:

CUSTOMER APPROVAL- NAME / DATE:

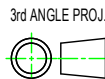
REVISIONS: (Refer to dwg # revision sheet)

A 7/13/2022

OUTLINE DRAWING

STANDARD NOTES: (Unless Otherwise Specified)

ALL DIMENSIONS ARE IN INCHES
 DRAWING INTERPRETATION DIMS. PER ASME-Y14.5
 REMOVE BURRS AND BREAK SHARP EDGES .005 - .015
 THREADS PER HANDBOOK H-28
 DIMENSIONS ARE SHOWN AFTER PLATING



ANGLE:
± 1/2°

CHAMFER:
± 5°

TOLERANCE:
.X ± 0.1"
.XX ± 0.01"
.XXX ± 0.005"

FUTEK

www.futek.com

MODEL: **LSB206** DWG No.: **F01577-A**

DRAWN BY: M. ILLES CREATED DATE: 1/6/2022

APPROVED BY: M. LISIAK APPROVED DATE: 2/11/2022

CHECKED BY: CAGE: 1X8M6 SHEET: 1 OF 1

This drawing, INCLUDING ALL INFORMATION DEPICTED THEREON (COLLECTIVELY, "Drawing"), is FUTEK's property. It is provided solely for the information and exclusive use of the original addressee. EXCEPT AS EXPRESSLY APPROVED BY FUTEK, YOU MAY NOT REPRODUCE OR SHARE this Drawing, in whole or part, with any OTHER firm or individual and without this legend appearing thereon.