

# FUTEK MODEL LSB300

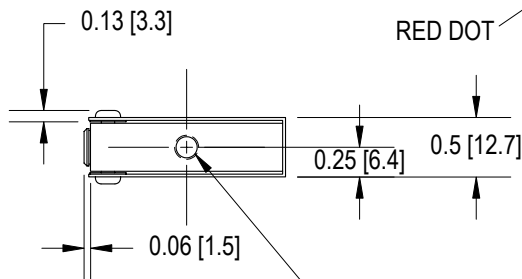
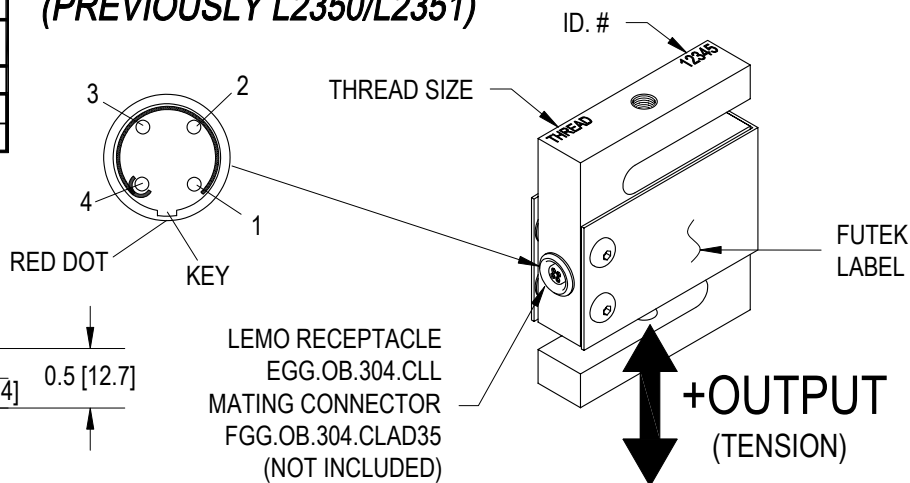
## S-BEAM LOAD CELL IN TENSION AND COMPRESSION (PREVIOUSLY L2350/L2351)

Drawing Number: FI1072-A

INCH [mm] | R.O.= Rated Output

WIRING CODE (CC4)

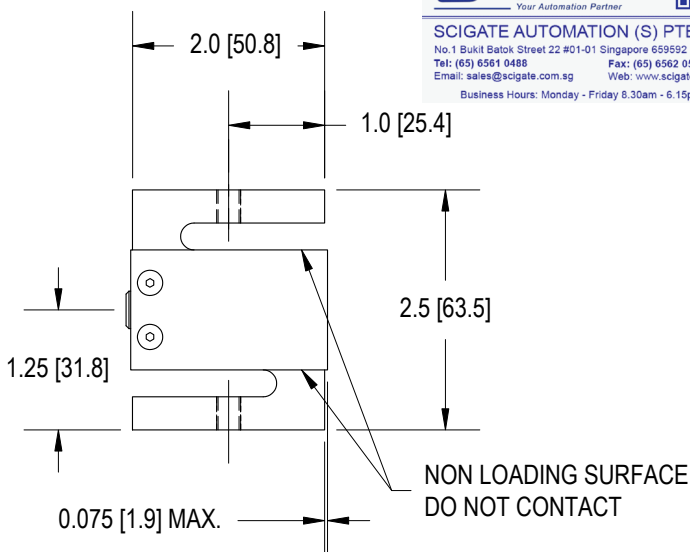
+Excitation	-Excitation	+Signal	-Signal
1	4	2	3



THREAD THRU  
(BOTH ENDS)

**SCIGATE**  
Your Automation Partner

SCIGATE AUTOMATION (S) PTE LTD  
No. 1 Bukit Batok Street 22 #01-01 Singapore 659592  
Tel: (65) 6561 0488 Fax: (65) 6562 0588  
Email: sales@scigate.com.sg Web: www.scigate.com.sg  
Business Hours: Monday - Friday 8.30am - 6.15pm



#28 AWG, 6 Conductor Polyurethane Cable (5ft) Option

WIRING CODE (WC4)			
+Excitation	-Excitation	+Signal	-Signal
RED	BLACK	GREEN	WHITE
+Sense	-Sense	Shield	
ORANGE	BLUE	Grounded	

RETRACTIL PVC CABLE AVAILABLE, CONTACT FACTORY

### SPECIFICATIONS:

<b>RATED OUTPUT</b>	2 mV/V nom.
<b>SAFE OVERLOAD</b>	150% of R.O.
<b>ZERO BALANCE</b>	±1% of R.O.
<b>EXCITATION (VDC OR VAC)</b>	20 MAX
<b>BRIDGE RESISTANCE</b>	1000 Ω nom.
<b>NONLINEARITY</b>	±0.05% of R.O.
<b>HYSTERESIS</b>	±0.05% of R.O.
<b>NONREPEATABILITY</b>	±0.05% of R.O.
<b>CREEP</b>	±0.025% of LOAD
<b>TEMP. SHIFT ZERO</b>	±0.001% of R.O./°F [0.0018% of R.O./°C]
<b>TEMP. SHIFT SPAN</b>	±0.0008% of LOAD/°F [0.0014% of LOAD/°C]
<b>COMPENSATED TEMP.</b>	60 to 160°F [15 to 72°C]
<b>OPERATING TEMP.</b>	-60 to 200°F [-50 to 93°C]
<b>WEIGHT</b>	5 oz [142 g]
<b>MATERIAL</b>	ANODIZED ALUMINUM
<b>DEFLECTION</b>	0.003 to 0.010 [0.08 to 0.25] nom.
<b>CONNECTOR: 4 Pin LEMO Receptacle (EGG.OB.304.CLL)</b>	
<b>ACCESSORIES AND RELATED INSTRUMENTS</b>	
<b>CALIBRATION (STD)</b>	5 pt TENSION; 150K Ω SHUNT CAL. VALUE
<b>CALIBRATION (AVAILABLE)</b>	COMPRESSION
<b>CALIBRATION TEST EXCITATION</b>	10 VDC

STK#	CAPACITY lb	N	THREAD	CONNECTOR LEMO	CABLE
FSH00957	25	111	1/4-28	X	X
FSH02074			M6 X 1	X	X
FSH00956					
FSH02073	50	222	1/4-28	X	X
FSH00959			M6 X 1	X	X
FSH02075					
FSH00958	100	445	1/4-28	X	X
FSH01589			M6 X 1	X	X
FSH00961					
FSH02076	200	890	1/4-28	X	X
FSH00960			M6 X 1	X	X
FSH01504					
FSH00963	300	1334	1/4-28	X	X
FSH02077			M10 X 1.5	X	X
FSH00962					
FSH01590	300	1334	1/4-28	X	X
FSH00965			M10 X 1.5	X	X
FSH02078					
FSH00964	300	1334	1/4-28	X	X
FSH02079			M10 X 1.5	X	X