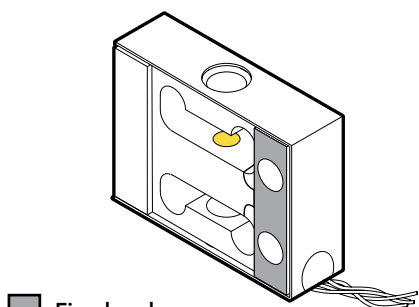
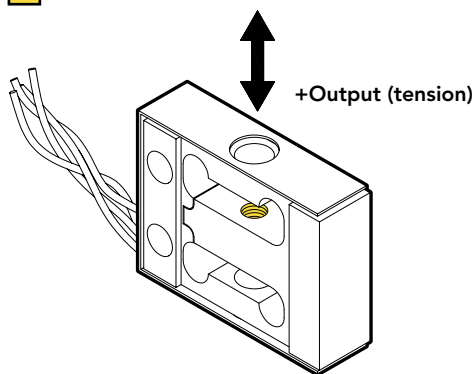




FEATURES

- Intended for high volume applications
- Easily integrates into OEM applications
- Built-in overload protection
- Exceptional nonlinearity and nonrepeatability
- Can integrate with analog VDC, mA, digital SPI, I2C, RS-232, UART output, and more

Active end



Fixed end

Sensor Solution Source

Load · Torque · Pressure · Multi-Axis · Calibration · Instruments · Software

www.futek.com

SPECIFICATIONS

PERFORMANCE

Nonlinearity $\pm 0.02\%$ of RO (2.2–100 lb)
 $\pm 0.06\%$ of RO (200 lb)

Hysteresis $\pm 0.02\%$ of RO (2.2–100 lb)
 $\pm 0.06\%$ of RO (200 lb)

Nonrepeatability $\pm 0.02\%$ of RO

Creep $\pm 0.025\%$ of Load

ELECTRICAL

Rated Output (RO) 2 mV/V nom

Excitation (VDC or VAC) 18 max

Bridge Resistance 1000 Ohm nom

Insulation Resistance ≥ 500 Mohm @ 50 VDC

Connection #29 AWG, 4 conductor, spiral teflon cable, 6 in [152.4 mm] long

Wiring/Connector Code WC2

MECHANICAL

Weight (approximate) 1 oz [28 g] (2.2–100 lb)
3 oz [85 g] (200 lb)

Safe Overload See chart on next page

Material Aluminum (2.2–100 lb),
17-4 PH stainless-steel (200 lb)

IP Rating IP30

TEMPERATURE

Operating Temperature -60 to 200°F [-50 to 93°C]

Compensated Temperature 60 to 160°F [15 to 72°C]

Temperature Shift Zero $\pm 0.005\%$ of RO/ $^{\circ}\text{F}$ [0.01% of RO/ $^{\circ}\text{C}$]

Temperature Shift Span $\pm 0.005\%$ of Load/ $^{\circ}\text{F}$ [0.01% of Load/ $^{\circ}\text{C}$]

CALIBRATION

Calibration Test Excitation 10 VDC

Calibration (standard) Certificate of Conformance

Calibration (available) 5-pt Tension and Compression

Shunt Calibration Value 150 kOhm

CONFORMITY

RoHS 2011/65/EU

CE EN61326-1:2006

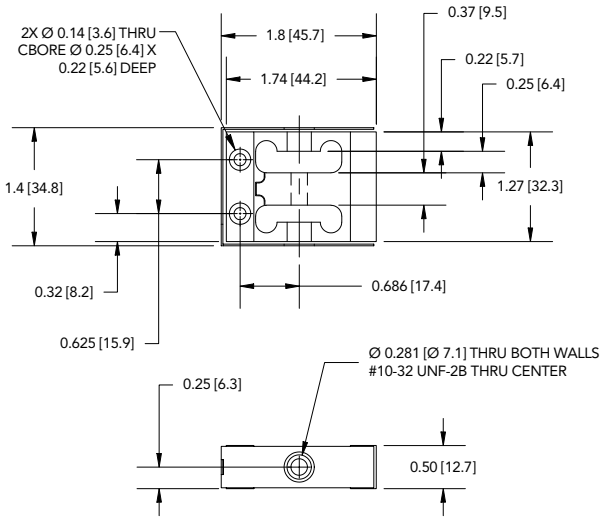


RoHS



U.S. Manufacturer

DIMENSIONS inches [mm]



CAPACITIES

ITEM #	lb	N	Deflection (in.)	Natural Frequency (Hz)	Safe Overload (lb)
FSH03974	2.2	9.8	0.0080	280	250
FSH03975	5	22.2	0.0065	468	250
FSH03976	10	44.5	0.0060	687	250
FSH03977	25	111	0.0055	1134	250
FSH03978	50	222	0.0055	1593	250
FSH03979	100	445	0.0060	2157	250
FSH03980	200	890	0.0055	1773	400*

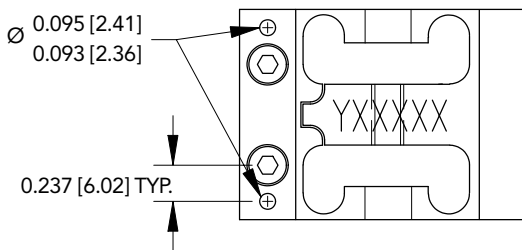
*If additional pins are used

WIRING CODE (WC2)

GREEN	+ EXCITATION
BLACK	- EXCITATION
WHITE	+ SIGNAL
RED	- SIGNAL

*Color code for this sensor is not FUTEK standard

ADDITIONAL HOLE LOCATIONS (200 LB ONLY)






SCIGATE AUTOMATION (S) PTE LTD
 No.1 Bukit Batok Street 22 #01-01 Singapore 659592
 Tel: (65) 6561 0488 Fax: (65) 6562 0588
 Email: sales@scigate.com.sg Web: www.scigate.com.sg
 Business Hours: Monday - Friday 8.30am - 6.15pm

Drawing Number: FI1400

FUTEK reserves the right to modify its design and specifications without notice. Please visit www.futek.com/salesterms for complete terms and conditions.

10 Thomas, Irvine, CA 92618 USA

Tel: (949) 465-0900
 Fax: (949) 465-0905

www.futek.com



ROHS



U.S. Manufacturer