



FEATURES

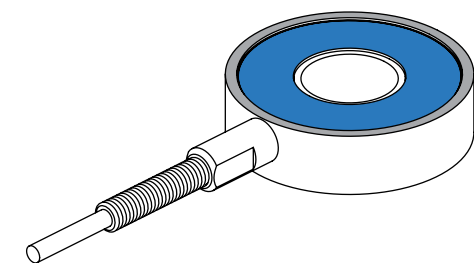
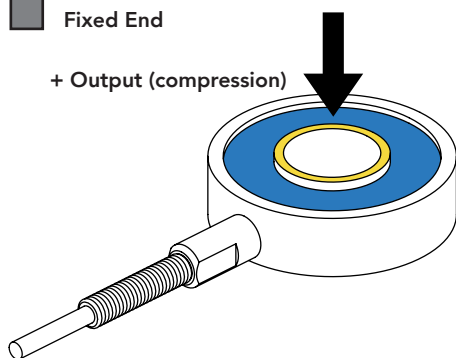
- Fast response time
- Robust strain relief
- Compatible in load washer applications
- Offered in a variety of capacities and inner diameters

 Non-loading surface, do not contact

 Active End

 Fixed End

+ Output (compression)



SPECIFICATIONS

PERFORMANCE

Nonlinearity	±0.5% of RO
Hysteresis	±0.5% of RO
Nonrepeatability	±0.5% of RO

ELECTRICAL

Rated Output (RO)	2 mV/V nom
Excitation (VDC or VAC)	18 max
Bridge Resistance	700 Ohm nom
Insulation Resistance	≥500 MOhm @ 50 VDC
Connection	#29 AWG, 4 conductor, spiral shielded Teflon cable, 10 ft [3 m] long
Wiring/Connector Code	WC1

MECHANICAL

Capacities	50 lb [222 N], 100 lb* [445 N]*, 250 lb [1112 N], 500 lb* [2224 N]*, 1000 lb* [4448 N]*
Weight (approximate)	2 oz [57 g]
Safe Overload	150% of RO
Deflection	0.001 in [0.025 mm] nom
Material	17-4 PH stainless-steel
IP Rating	IP64

TEMPERATURE

Operating Temperature	-60 to 200°F (-50 to 93°C)
Compensated Temperature	60 to 160°F (15 to 72°C)
Temperature Shift Zero	±0.005% of RO/°F (0.01% of RO/°C)
Temperature Shift Span	±0.005% of Load/°F (0.01% of Load/°C)

CALIBRATION

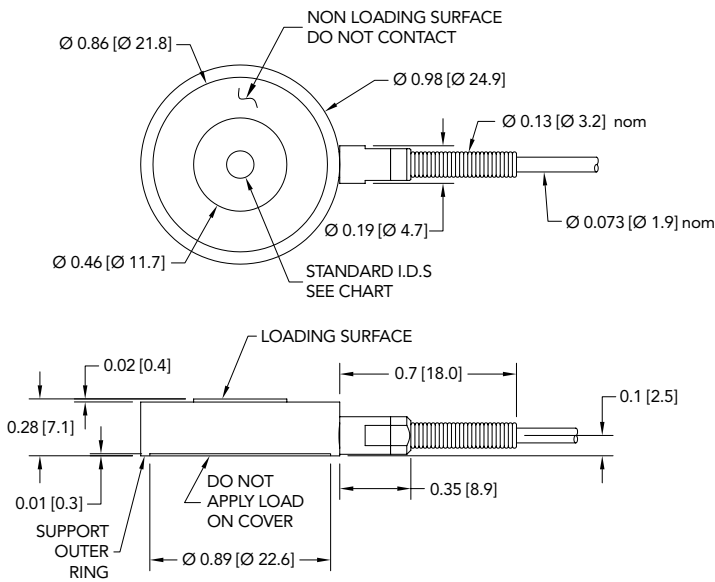
Calibration Test Excitation	10 VDC
Calibration (standard)	5-pt Compression
Shunt Calibration Value	100 kOhm

CONFORMITY

RoHS	EU 2015/863
CE	EN55011; EN61326-1

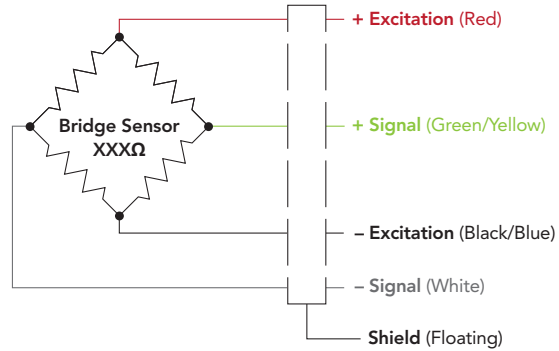
*Commonly stocked capacities

DIMENSIONS inches [mm]



WIRING CODE (WC1 WITH SHIELD)

RED	+ EXCITATION
BLACK	- EXCITATION
GREEN	+ SIGNAL
WHITE	- SIGNAL
SHIELD	FLOATING



Note: While torquing bolts, high tension forces will occur during installation, which could result in overloading the sensor. FUTEK recommends connecting the sensor to a system in order to monitor the applied forces. FUTEK is not liable or responsible for the mishandling of the sensor during installation.

INNER DIAMETER

ID	Dimension ^{+0.01} / _{-0.00} [^{+0.25} / _{-0.00}]
3/16	0.197 [5.01]
1/4*	0.259 [6.58]
5/16	0.322 [8.18]
3/8*	0.384 [9.75]

*Commonly stocked capacities and inner diameters




SCIGATE AUTOMATION (S) PTE LTD
 No.1 Bukit Batok Street 22 #01-01 Singapore 659592
Tel: (65) 6561 0488 **Fax: (65) 6562 0588**
Email: sales@scigate.com.sg **Web: www.scigate.com.sg**
Business Hours: Monday - Friday 8.30am - 6.15pm

Drawing Number: F11425-B

FUTEK reserves the right to modify its design and specifications without notice. Please visit www.futek.com/salesterms for complete terms and conditions.

10 Thomas, Irvine, CA 92618 USA

Tel: (949) 465-0900
 Fax: (949) 465-0905

www.futek.com



RoHS



U.S. Manufacturer