

Terms and Conditions of Use

This drawing, including all information depicted herein (collectively, "Drawing"), is FUTEK's property and protected under applicable law, including copyright. FUTEK reserves all rights. The Drawing is provided solely for your information and exclusive use. **Except as expressly approved by FUTEK in writing, you may not reproduce or share this Drawing**, in whole or part, with any other firm or individual, or attempt to reverse engineer the Drawing or data contained therein. Any reproduction of this Drawing in whole or part must include this legend.

By accessing the Drawing, you agree that you have read, understand, and agree to abide by the stated Terms and Conditions of Use.

© 2023 FUTEK Advanced Sensor Technology, Inc.



SCIGATE AUTOMATION (S) PTE LTD

No.1 Bukit Batok Street 22 #01-01 Singapore 659592
Tel: (65) 6561 0488 Fax: (65) 6562 0588
Email: sales@scigate.com.sg Web: www.scigate.com.sg
Business Hours: Monday - Friday 8.30am - 6.15pm

Sensor Solution Source

Load · Torque · Pressure · Multi Axis · Calibration · Instruments · Software

www.futek.com



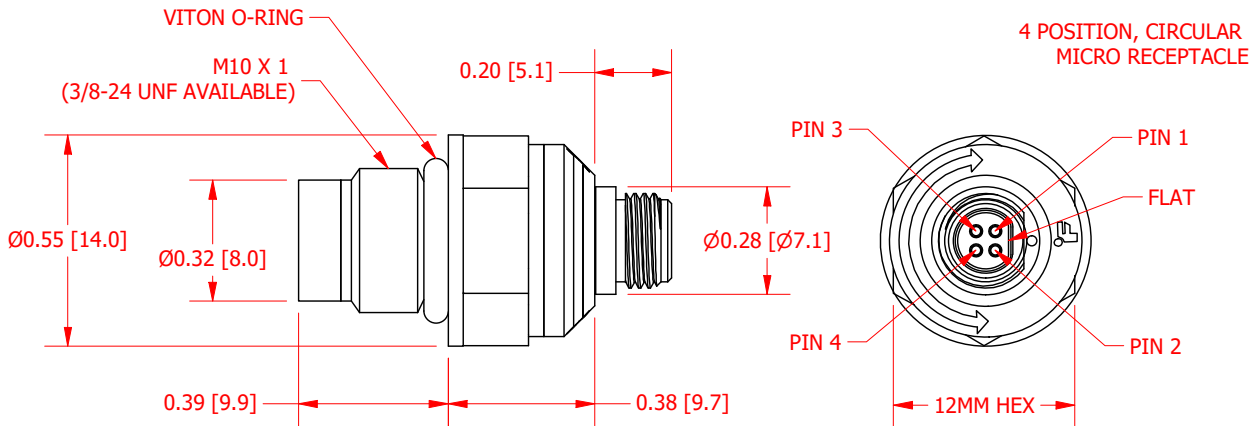
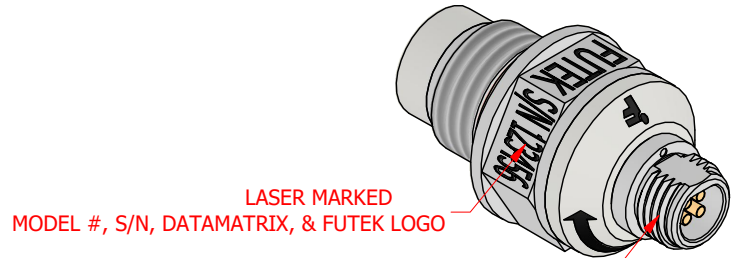
U.S. Manufacturer

FUTEK MODEL PFT511

ITEM NUMBER: SEE CHART

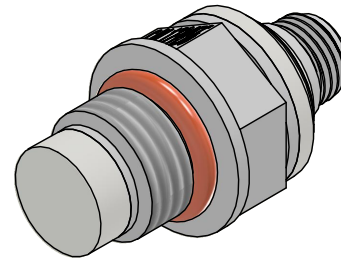
MICRO FLUSH MOUNT IP67 PRESSURE SENSOR

INCH [mm]		R.O.= Rated Output	
WIRING CODE			
- Excitation	+ Excitation	+ Signal	- Signal
PIN 1	PIN 2	PIN 3	PIN 4



SPECIFICATIONS:

RATED OUTPUT	SEE CHART
CAPACITY	SEE CHART
SAFE OVERLOAD	150% of R.O.
ZERO BALANCE	±3% of R.O.
EXCITATION (VDC OR VAC)	7 MAX
BRIDGE RESISTANCE	350 Ω nom
NONLINEARITY	±0.8% of R.O.
HYSTERESIS	±0.4% of R.O.
NONREPEATABILITY	±0.02% of R.O.
TEMP. SHIFT ZERO	±0.02% of R.O./°F (±0.036 of R.O./°C)
TEMP. SHIFT SPAN	±0.02% of LOAD/°F (±0.036 of LOAD/°C)
COMPENSATED TEMP.	32 to 140 °F (0 to 60 °C)
OPERATING TEMP	-40 to 194 °F (-40 to 90 °C)
WEIGHT (approx)	0.02 lb [10 g]
MATERIAL	17-4 PH.S.S.
IP RATING	IP67



ITEM #	CAPACITY	RATED OUTPUT (mV/V)
FSH04761	225 PSI	1.5
FSH04762	750 PSI	2
FSH04763	3000 PSI	2
FSH04764	7500 PSI	2
FSH04765	10000 PSI	2

CUSTOMER APPROVAL- COMPANY:

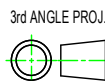
CUSTOMER APPROVAL- NAME / DATE:

REVISIONS: (Refer to dwg # revision sheet)

OUTLINE DRAWING

STANDARD NOTES: (Unless Otherwise Specified)

ALL DIMENSIONS ARE IN INCHES
DRAWING INTERPRETATION DIMS. PER ASME-Y14.5
REMOVE BURRS AND BREAK SHARP EDGES .005 - .015
THREADS PER HANDBOOK H-28
DIMENSIONS ARE SHOWN AFTER PLATING



ANGLE:
± 1/2°

CHAMFER:
± 5°

TOLERANCE:
.X ± 0.1"
.XX ± 0.01"
.XXX ± 0.005"

This drawing, including all information depicted herein (collectively, "Drawing"), is FUTEK's property and protected under applicable law, including copyright. FUTEK reserves all rights. The Drawing is provided solely for your information and exclusive use. Except as expressly approved by FUTEK in writing, you may not reproduce or share this Drawing in whole or part, with any other firm or individual, or attempt to reverse engineer the Drawing or data contained therein. Any reproduction of this Drawing in whole or part must include this legend.

FUTEK

MODEL: PFT511	DWG No.: F01585-0
DRAWN BY: <i>S. VOSOUGH</i>	CREATED DATE: 11/24/2022
APPROVED BY: <i>M. ILLES</i>	APPROVED DATE: 11/16/2022
CHECKED BY:	CAGE: 1X8M6 SHEET: 1 OF 1