

# FUTEK MODEL PMP920 SERIES

# MINIATURE PRESSURE SENSOR

(Previously P920 series)



Drawing Number: FI1163-D

INCH [mm] R.O.= Rated Output

PMP921 WIRING CODE (WC1)

+Excitation	-Excitation	+Signal	-Signal
RED	BLUE OR BLACK	GREEN OR YELLOW	WHITE

PMP924 WIRING CODE (WC5)

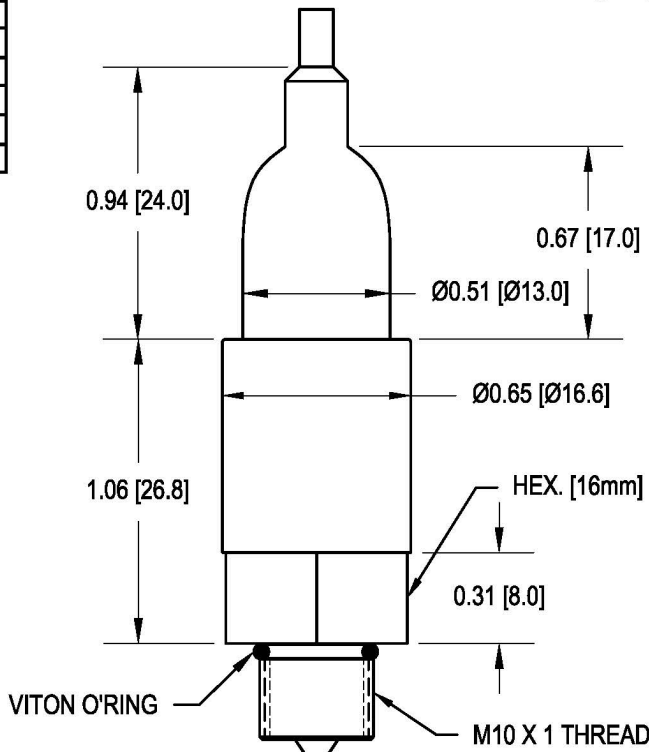
Power Supply (+)	Voltage Output (+)	Ground
RED	GREEN OR YELLOW	BLUE OR BLACK

- THIN FILM TECHNOLOGY
- COMPATIBLE WITH MOST FLUIDS
- HIGH ACCURACY
- mV/V, 5V RATIO METRIC
- AVAILABLE IN ABSOLUTE
- HIGH TEMPERATURE OPTION



SCIGATE AUTOMATION (S) PTE LTD

No.1 Bukit Batok Street 22 #01-01 Singapore 659592  
 Tel: (65) 6561 0488 Fax: (65) 6562 0588  
 Email: sales@scigate.com.sg Web: www.scigate.com.sg  
 Business Hours: Monday - Friday 8.30am - 6.15pm



SPECIFICATIONS	MODEL PMP921	MODEL PMP924
RATED OUTPUT (R.O.) (> 2 bar)	1.5 mV/V ± 3% R.O.	5 VDC ± 0.05
RATED OUTPUT (R.O.) (= 1 bar)	6 to 10 mV/V ± 3% R.O.	5 VDC ± 0.05
- RATED OUTPUT (R.O.) (+/- Cap.)	Proportional to + R.O.	Proportional to + R.O.
ZERO BALANCE	0 mV ± 3% R.O.	0 VDC ± 0.05
EXCITATION	5-15 VDC	8 to 30 VDC

## SPECIFICATIONS:

RATED OUTPUT	See Chart
CAPACITY	See Chart
SAFE OVERLOAD	150% of R.O.
BURST PRESSURE	300% of R.O.
EXCITATION	See Chart
CURRENT DRAW	< 10 mA
NONLINEARITY	±0.25% of R.O. (BFSL) ± 0.5% of R.O. (END POINT)
ZERO BALANCE	See Chart
HYSTERESIS	±0.25% of R.O. (BFSL) ± 0.5% of R.O. (END POINT)
NON-REPEATABILITY	± 0.02% of R.O.
SIGNAL BANDWIDTH (ELECTRONIC)	1000 Hz @ -3 dB
INSULATION RESISTANCE	> 1000 Mohms @ 50Vdc and 20°C
BRIDGE RESISTANCE:	3000 Ω (PMP921 only)
TEMP. SHIFT ZERO	±0.01% of R.O./°F [0.02% of R.O./°C] MAX
TEMP. SHIFT SPAN	±0.01% of R.O./°F [0.02% of R.O./°C] MAX
COMPENSATED TEMP.	32 to 140°F [0 to 60°C]
OPTIONAL (CAP. ≥ 3 BAR)	-13 to 257°F [-25 to 125°C]
OPERATING TEMP. (MEDIUM & BODY)	-40 to 257°F [-40 to 125°C]
WEIGHT	< 30g WITHOUT CABLE
MATERIAL (BODY/WETTED PARTS)	STAINLESS STEEL
ENCLOSURE PROTECTION	NEMA 4 (IP 65) FOR SEALED GAGE
ELECTRICAL CONNECTION	4 CONDUCTOR, SHIELDED VITON CABLE, 3 ft [1 m] LONG
CAVITY VOLUME	< 130 mm³
SHOCK RESISTANCE	100 G'S 1/2 SINUSOIDAL - 1ms
VIBRATION RESISTANCE	±0.02%R.O./G (20-2000 Hz, 50G'S MAX)
EMR/RF:	COMPLIANT TO EN61000
CALIBRATION (STD)	CERTIFICATE OF CONFORMANCE INCLUDED
CALIBRATION (AVAILABLE)	NIST TRACEABLE 5 pt.

GAUGE / RELATIVE RANGE	
CAPACITY PSI	CAPACITY BAR
-14.5/+29	-1/+2
-14.5/+43	-1/+3
-14.5/+72	-1/+5
14.5	1
29	2
43	3
72	5
145	10
290	20
580	40
1450	100
3626	250
5801	400
8702	600



This drawing is submitted solely for the information and exclusive use of the original addressee. It is not to be divulged in whole or in part, by any firm or individual without written permission from FUTEK

10 THOMAS  
 IRVINE, CA 92618 USA  
 1-800-23-FUTEK (38835)

INTERNET:  
<http://www.futek.com>