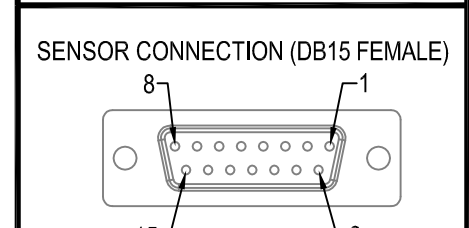
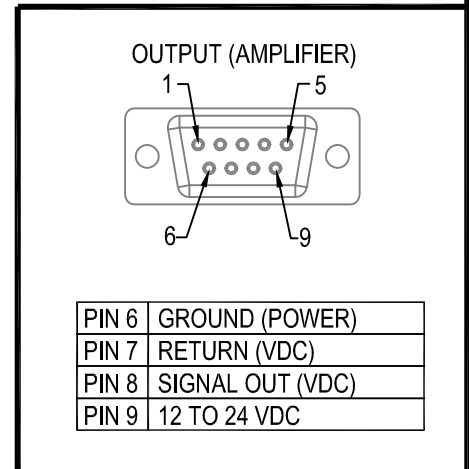
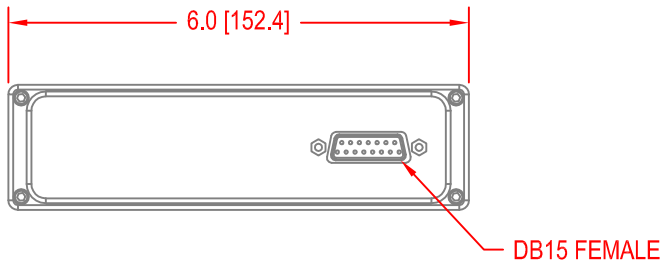
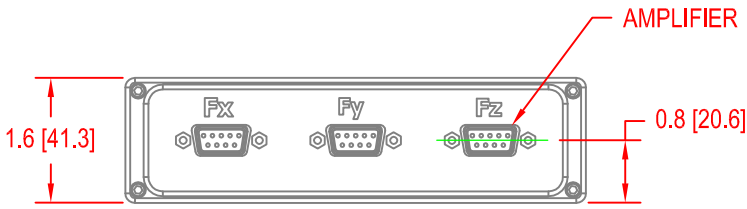
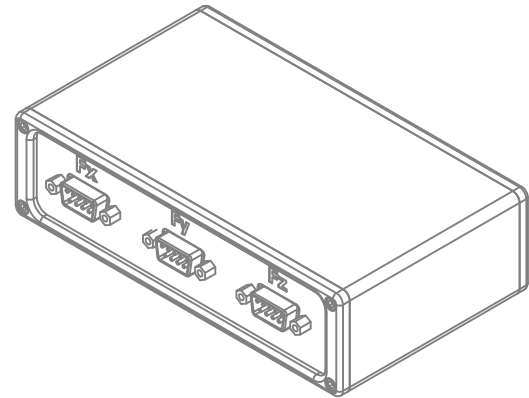


FUTEK MODEL QIA103

THREE CHANNEL AMPLIFIER MODULE

Drawing Number: FI1338-A

INCH [mm] | R.O.= Rated Output



DB15 FEMALE	AMP. PIN #	CH
1	R (+E)	FX
2	B (-E)	
3	W (-S)	
4	G (+S)	FY
5	R (+E)	
6	B (-E)	
7	W (-S)	FZ
8	G (+S)	
9	R (+E)	
10	B (-E)	FZ
11	W (-S)	
12	G (+S)	

FEATURES:

- Bipolar Output, Differential Input

SPECIFICATIONS:

- Voltage Output (Fx & Fy): 1.2 mV/V = 4.5 VDC
- Voltage Output (Fz): 0.5 mV/V = 2.5 VDC
- Operating Temperature: 32°F to 158°F [0°C to 70°C]
- Storage Temperature: -40°F to 185°F [-40°C to 85°C]
- Relative Humidity: 95% at 100 °F [38°C]
- Material (Housing): Aluminum
- Nonlinearity: ±0.001% of FSR
- Bandwidth: 1000 Hz
- Sensor Impedance: 100 Ohm Min.
- Power Supply: 12.5 to 26 VDC

SCIGATE AUTOMATION (S) PTE LTD
 No.1 Bukit Batok Street 22 #01-01 Singapore 659592
 Tel: (65) 6561 0488 Fax: (65) 6562 0588
 Email: sales@scigate.com.sg Web: www.scigate.com.sg
 Business Hours: Monday - Friday 8.30am - 6.15pm