

FUTEK MODEL

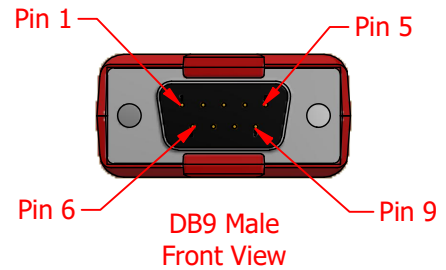
Miniaturized and Digitally Configurable Voltage Amplifier

DRAWING NUMBER: FI1499-F

INCH [mm] | R.O.= Rated Output

Item #: QSH01968

Pin	Function
1	NC
2	GND
3	GND
4	GND
5	GND
6	GND
7	GND
8	Vout
9	Vin



Specifications:

Input:

- Differential Input: ± 1.5 mV/V to ± 5 mV/V
- Bridge Resistance: 350 Ohm to 5000 Ohm
- Bridge Excitation: Variable up to 10 VDC

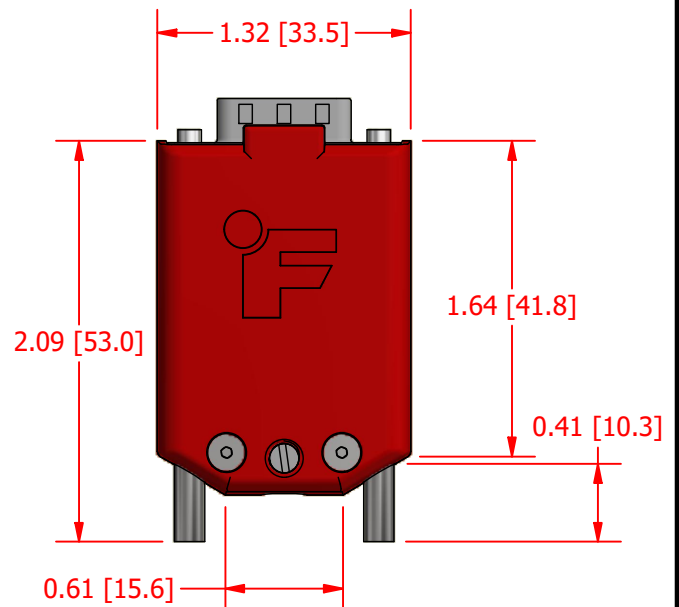
Analog Output:

- Range: ± 10 VDC
- Bandwidth:
 - 3 dB at 1 kHz
 - 80 dB at 19.2 kHz
- Noise: 5 mVp-p at 100 kHz (-152 dB)
- Load Impedance: ≥ 1 kOhm
- Output Drift: 5 ppm/ $^{\circ}$ C

Power:

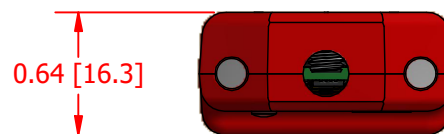
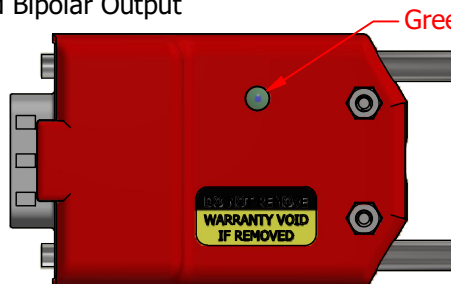
- 12 VDC to 24 VDC
 - 20-40 mV peak-to-peak ripple in passband
 - 20 MHz bandwidth (cutoff 40 dB @ 20 MHz)
- Power Consumption: 0.5 W
- Inrush Current: 1 A

Operating Temperature: -4 $^{\circ}$ F to +122 $^{\circ}$ F (-20 $^{\circ}$ C to +50 $^{\circ}$ C)



Features:

- Differential Input
- Single Ended Bipolar Output



SCIGATE AUTOMATION (S) PTE LTD

No.1 Bukit Batok Street 22 #01-01 Singapore 659592
 Tel: (65) 6561 0488 Fax: (65) 6562 0588
 Email: sales@scigate.com.sg Web: www.scigate.com.sg

Business Hours: Monday - Friday 8.30am - 6.15pm

Note 1 : Use separate ground for each signal to and from the QIA124.

Note 2 : The solid green LED indicates that the power is ON.