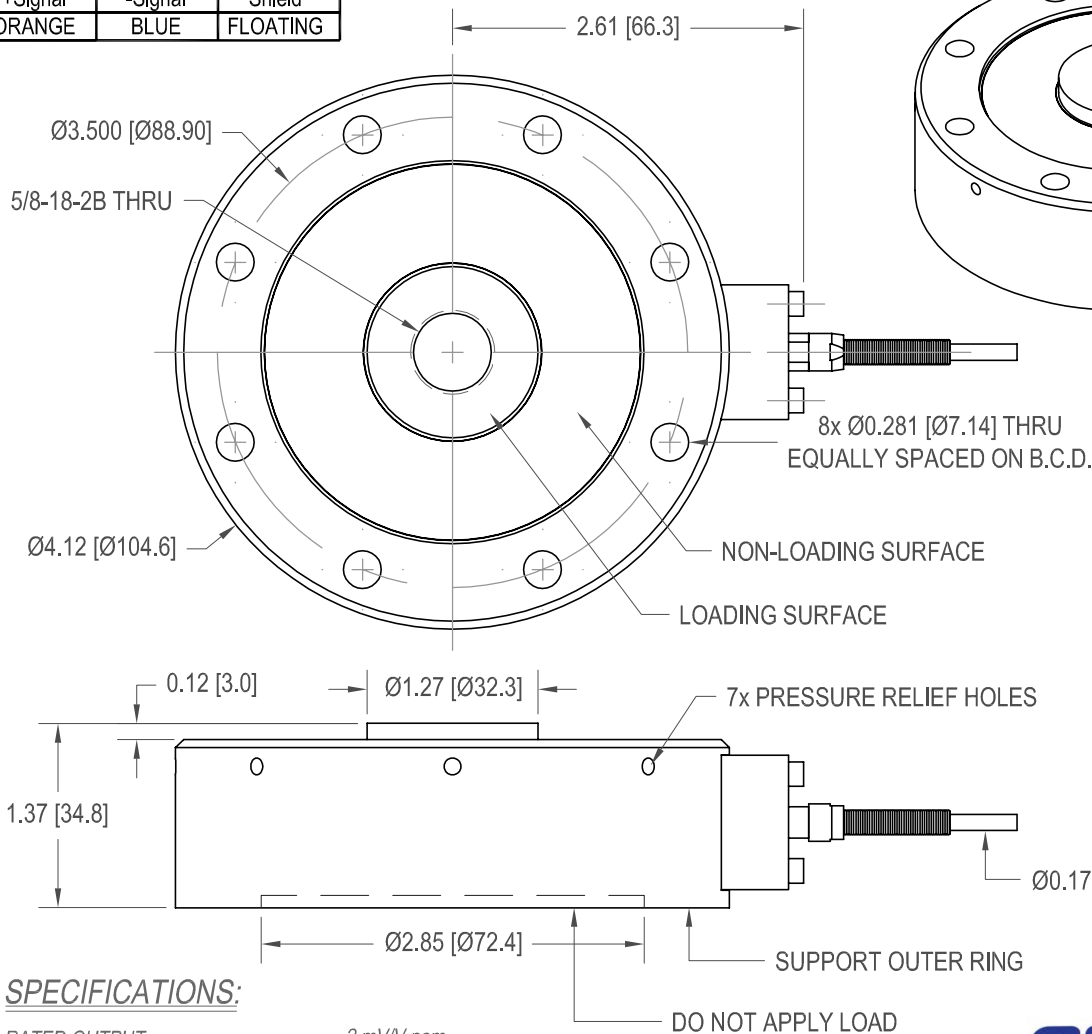
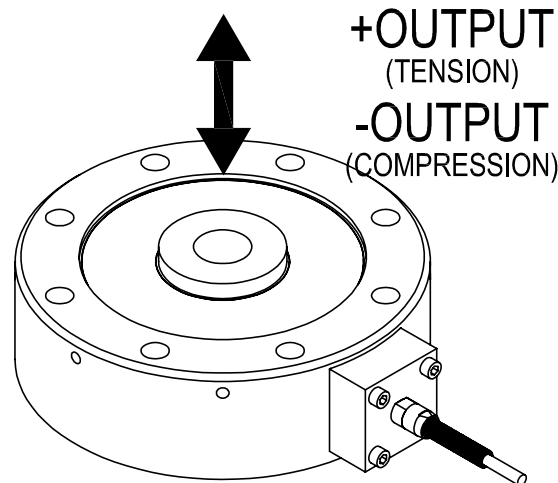


# FUTEK MODEL LCF450 SPECIAL

# LOW PROFILE UNIVERSAL PANCAKE LOAD CELL

STOCK NUMBER: QSH00872

INCH (mm)		R.O.= Rated Output	
WIRING CODE (WC4)			
+Excitation	-Excitation	+Signal	-Signal
RED	BLACK	GREEN	WHITE
+Signal	-Signal	Shield	
ORANGE	BLUE	FLOATING	



## SPECIFICATIONS:

RATED OUTPUT	2 mV/V nom.
CAPACITY	10000 lb [44480 N]
SAFE OVERLOAD	150% of R.O.
ZERO BALANCE	±1% of R.O.
EXCITATION (VDC OR VAC)	20 MAX
BRIDGE RESISTANCE	700 Ω nom.
NONLINEARITY	±0.1% of R.O.
NONREPEATABILITY	±0.05% of R.O.
TEMP. SHIFT ZERO	±0.02% of R.O./°F [0.04% of R.O./°C]
TEMP. SHIFT SPAN	±0.02% of LOAD/°F [0.04% of LOAD/°C]
COMPENSATED TEMP.	60 to 160°F [15 to 72°C]
OPERATING TEMP.	-60 to 200°F [-50 to 93°C]
WEIGHT	3.5lb [1.6kg]
DEFLECTION	0.005 [0.13] nom.

CABLE: 28 Awg 6 Conductor Braided Shielded Polyurethane Cable - 10 ft Long



## SCIGATE AUTOMATION (S) PTE LTD

No.1 Bukit Batok Street 22 #01-01 Singapore 659592  
 Tel: (65) 6561 0488 Fax: (65) 6562 0588  
 Email: sales@scigate.com.sg Web: www.scigate.com.sg

Business Hours: Monday - Friday 8.30am - 6.15pm

## NOTE:

- 1) Submersible In Non-Conductive Silicone Oil.
- 2) Withstand 10 MPa Of Constant Pressure.

MATERIAL: —	<h1>OUTLINE DRAWING</h1>	<p>This drawing is submitted solely for the information and exclusive use of the original addressee. It is not to be divulged in whole or in part, by any firm or individual without written permission from:</p> <p><b>FUTEK</b>                  ADVANCED SENSOR TECHNOLOGY, INC.                  10 THOMAS                  IRVINE, CA 92618 USA                  Phone: (949) 465-0900                  Fax: (949) 465-0905</p>
HEAT TREATMENT - FINISH: —		
REVISIONS: (Refer to dwg # revision sheet)	STANDARD NOTES: (Unless Otherwise Specified) · ALL DIMENSIONS ARE IN INCHES · DRAWING INTERPRETATION DIMS. PER ASME-Y14.5M · REMOVE BURRS AND BREAK SHARP EDGES .005 - .015 · THREADS PER HANDBOOK H-28 · DIMENSIONS ARE SHOWN AFTER PLATING	CAGE: <b>1X8M6</b>
△ -	ANGLE: ±1/2° CHAMFER: ±5° TOLERANCE: .X ±0.1 .XX ±0.01 .XXX ±0.005 3rd ANGLE PROJ.	MODEL: <b>LCF450</b> DWG No.: <b>FO1166</b>
		DRAWN BY: <b>H. AU</b> CHECKED BY: <b>J. VARGAS</b>
		APPROVED BY: <b>R. WALKER</b> DATE: <b>JAN. 15, 2007</b>