

FUTEK MODEL LTH350

DONUT / THRU HOLE LOAD CELL AVAILABLE WITH I.D.'S FROM 3/8 TO 5/8

Drawing Number: FI1005-D

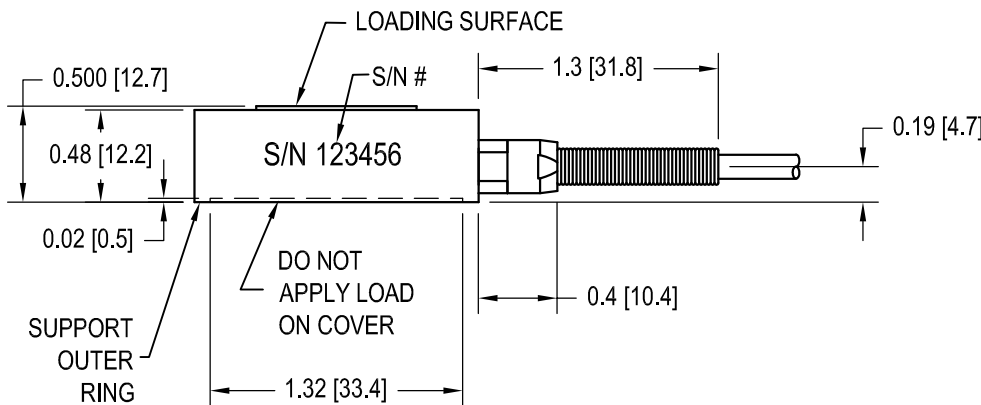
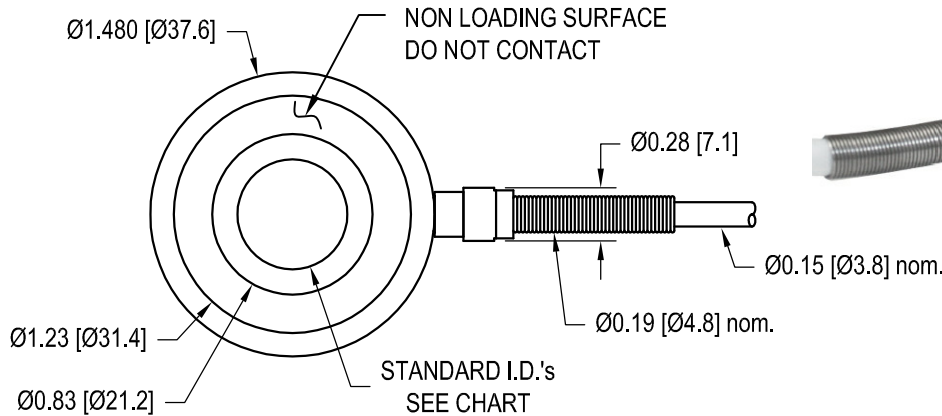
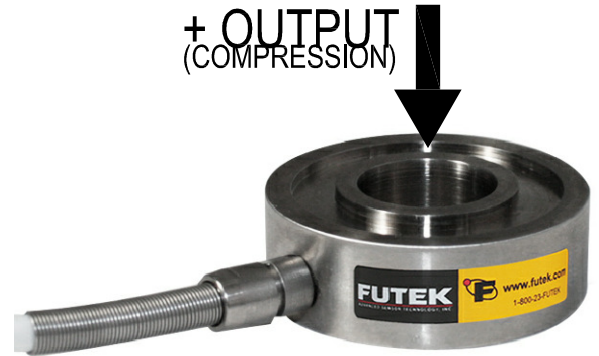
INCH [mm] | R.O.= Rated Output

WIRING CODE (WC1)

+Excitation	-Excitation	+Signal	-Signal
RED	BLACK	GREEN	WHITE

Shield
FLOATING

+ OUTPUT
(COMPRESSION)



ID	Inner Diameter DIMENSION ^{+0.01} / _{-0.00} [^{+0.25} / _{-0.00}]
3/8	0.384 [9.75]
7/16	0.447 [11.35]
1/2*	0.509 [12.93]
5/8*	0.634 [16.10]

SPECIFICATIONS:

RATED OUTPUT	1.5 mV/V (100 lb), 2 mV/V (500-5000 lb) nom.
CAPACITY $\frac{lb}{N}$	100, 500, 2000, 5000* 445, 2224, 8896, 22240*
SAFE OVERLOAD	150% of R.O.
ZERO BALANCE	±3% of R.O.
EXCITATION (VDC OR VAC)	18 MAX
BRIDGE RESISTANCE	700 Ω nom.
NONLINEARITY	±0.5% of R.O.
HYSTERESIS	±0.5% of R.O.
NONREPEATABILITY	±0.5% of R.O.
TEMP. SHIFT ZERO	±0.005% of R.O./°F [0.01% of R.O./°C]
TEMP. SHIFT SPAN	±0.005% of LOAD/°F [0.01% of LOAD/°C]
COMPENSATED TEMP.	60 to 160°F [15 to 72°C]
OPERATING TEMP.	-60 to 200°F [-50 to 93°C]
WEIGHT	3.5 oz [99 g]
MATERIAL	17-4PH S.S.
DEFLECTION	0.002 [0.05] nom.

CABLE: #24 AWG, 4 Conductor, Braided Shielded Teflon Cable 10 ft [3 m] Long

ACCESSORIES AND RELATED INSTRUMENTS AVAILABLE

CALIBRATION (STD) 5 pt. COMPRESSION; 150K Ω (100 lb), 100K Ω (500-5000 lb) SHUNT CAL. VALUE

CALIBRATION TEST EXCITATION 10 VDC

* COMMONLY STOCKED CAPACITIES AND INNER DIAMETERS

NOTE:

WHILE TORQUING BOLTS, HIGH TENSION FORCES WILL OCCUR DURING INSTALLATION, WHICH COULD RESULT IN OVERLOADING THE SENSOR. FUTEK RECOMMENDS CONNECTING SENSOR TO A SYSTEM IN ORDER TO MONITOR THE APPLIED FORCES. FUTEK IS NOT LIABLE OR RESPONSIBLE FOR THE MISHANDLING OF THE SENSOR DURING INSTALLATION.



SCIGATE AUTOMATION (S) PTE LTD

No.1 Bukit Batok Street 22 #01-01 Singapore 659592
Tel: (65) 6561 0488 Fax: (65) 6562 0588
Email: sales@scigate.com.sg Web: www.scigate.com.sg

Business Hours: Monday - Friday 8.30am - 6.15pm



This drawing is submitted solely for the information and exclusive use of the original addressee. It is not to be divulged in whole or in part, by any firm or individual without written permission from FUTEK

CAGE CODE # 1X8M6

10 THOMAS
IRVINE, CA 92618 USA
FUTEK@FUTEK.COM

INTERNET:
<http://www.futek.com>