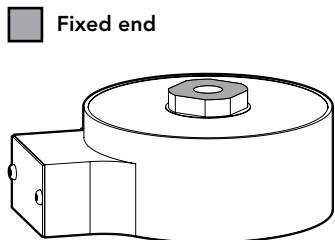
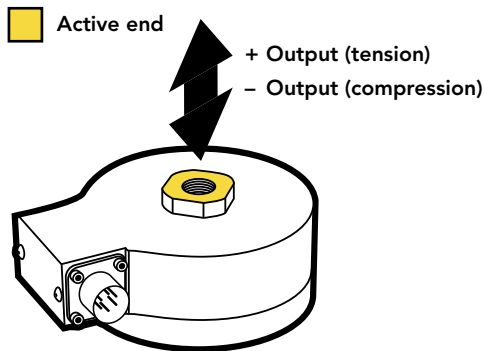




FEATURES

- Highly resistant to off-axis loading
- One-piece construction
- Utilizes metal foil strain gauge technology
- 17-4 PH stainless-steel construction
- For use in both tension and compression



SPECIFICATIONS

PERFORMANCE

Nonlinearity	±0.1% of RO
Hysteresis	±0.1% of RO
Nonrepeatability	±0.05% of RO

ELECTRICAL

Rated Output (RO)	3 mV/V nom 1.5 mV/V nom (250 lb)
Excitation (VDC or VAC)	18 max
Bridge Resistance	700 Ohm nom
Insulation Resistance	≥500 MOhm @ 50 VDC
Connection	6 Pin BENDIX Receptacle (PT02A-10-6P)
Connector Code	CC1 Standard/CC1T

MECHANICAL

Weight (approximate)	3 lb [1.4 kg]
Safe Overload	150% of RO
Material	17-4 PH stainless-steel
IP Rating	IP64

TEMPERATURE

Operating Temperature	-65 to 200°F [-54 to 93°C]
Compensated Temperature	60 to 160°F [15 to 72°C]
Temperature Shift Zero	±0.002% of RO/°F [0.0036% of RO/°C]
Temperature Shift Span	±0.002% of Load/°F [0.0036% of Load/°C]

CALIBRATION

Calibration Test Excitation	10 VDC
Calibration (standard)	5-pt tension
Calibration (available)	Compression
Shunt Calibration Value	87.325 kOhm, 150 kOhm (250 lb)



SCIGATE AUTOMATION (S) PTE LTD

No.1 Bukit Batok Street 22 #01-01 Singapore 659592
 Tel: (65) 6561 0488 Fax: (65) 6562 0588
 Email: sales@scigate.com.sg Web: www.scigate.com.sg

Business Hours: Monday - Friday 8.30am - 6.15pm

Sensor Solution Source

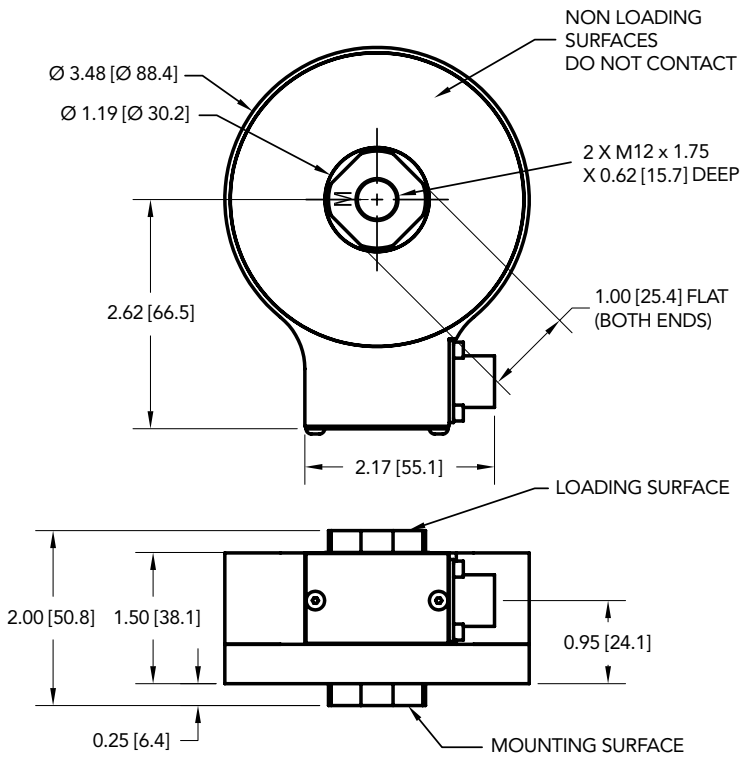
Load · Torque · Pressure · Multi-Axis · Calibration · Instruments · Software

www.futek.com



U.S. Manufacturer

DIMENSIONS inches [mm]

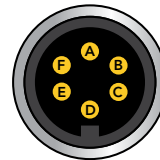


CAPACITIES

ITEM #	lb	N	Deflection (in)	Natural Frequency (kHz)
FSH03314	250	1112	0.001	2.3
FSH03130	500	2224	0.002	2.3
FSH03131	1000	4448	0.002	3.6
FSH03133	2500	11120	0.003	5.5
FSH03132	5000	22240	0.004	3.2

BENDIX 6-PIN (CC1/CC1T)

PIN	COLOR	DESCRIPTION	TEDS DESCRIPTION
A	Red	+ Excitation	+ Excitation
B	Black	- Excitation	- Excitation
C	Green	+ Signal	+ Signal
D	White	- Signal	- Signal
E	Orange	+ Sense	TEDS Data
F	Blue	- Sense	TEDS GND



Drawing Number: FI1043-G

FUTEK reserves the right to modify its design and specifications without notice. Please visit www.futek.com/salesterms for complete terms and conditions.

10 Thomas, Irvine, CA 92618 USA

Tel: (949) 465-0900

Fax: (949) 465-0905

www.futek.com



U.S. Manufacturer