

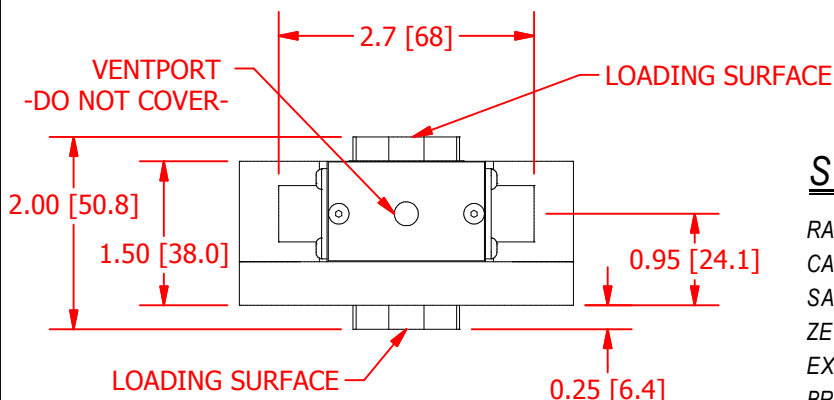
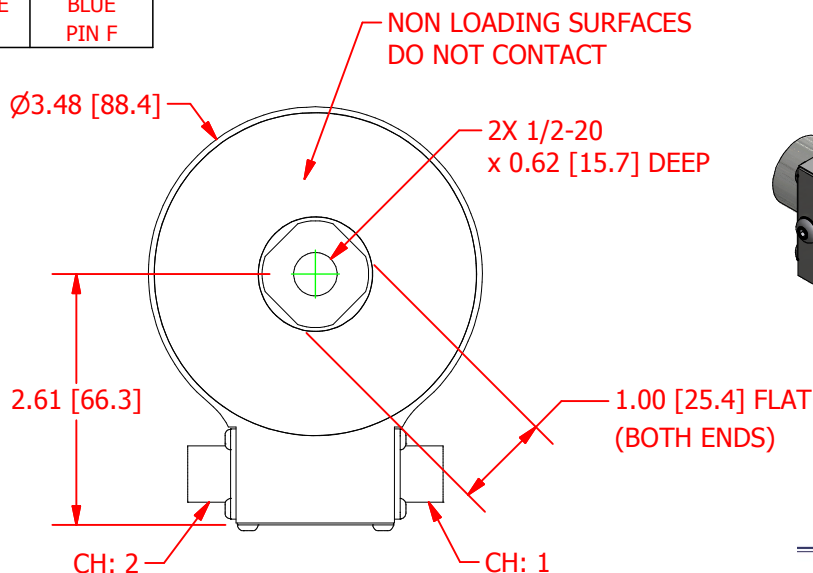
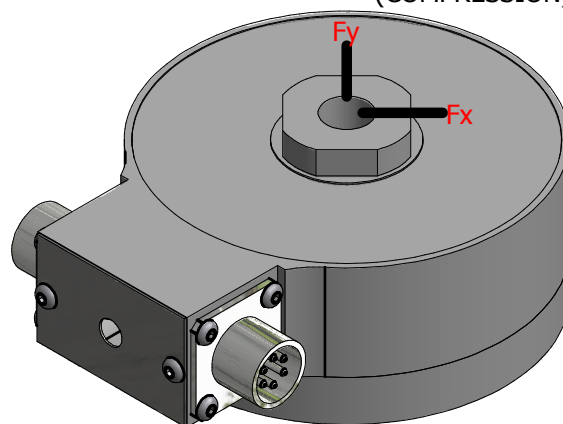
# FUTEK MODEL LCF400

ITEM NUMBER: QSH01646

## TENSION AND COMPRESSION LOAD CELL, DUAL BRIDGE, VACUUM RATED

INCH [mm]		R.O.= Rated Output	
<b>WIRING CODE (CC 1)</b>			
+Excitation	-Excitation	+Signal	-Signal
RED PIN A	BLACK PIN B	GREEN PIN C	WHITE PIN D
+Sense	-Sense		
ORANGE PIN E	BLUE PIN F		

+OUTPUT  
(TENSION)  
↕  
-OUTPUT  
(COMPRESSION)



**SCIGATE AUTOMATION (S) PTE LTD**

No.1 Bukit Batok Street 22 #01-01 Singapore 659592

Tel: (65) 6561 0488

Fax: (65) 6562 0588

Email: sales@scigate.com.sg

Web: www.scigate.com.sg

Business Hours: Monday - Friday 8.30am - 6.15pm

### SPECIFICATIONS:

RATED OUTPUT	3 mV/V nom.
CAPACITY	1000 lb [4.448kN]
SAFE OVERLOAD	150% of R.O.
ZERO BALANCE	±1% of R.O.
EXCITATION (VDC OR VAC)	18 MAX
BRIDGE RESISTANCE	700 Ω nom
NONLINEARITY	±0.1% of R.O.
HYSTERESIS	±0.1% of R.O.
NONREPEATABILITY	±0.05% of R.O.
TEMP. SHIFT ZERO	±0.002% of R.O./°F (±0.004 of R.O./°C)
TEMP. SHIFT SPAN	±0.002% of LOAD/°F (±0.004 of LOAD/°C)
COMPENSATED TEMP.	60 to 160 °F (16 to 71 °C)
OPERATING TEMP	-65 to 200 °F (-54 to 93 °C)
WEIGHT (approx)	3 lb
MATERIAL	Stainless Steel
CONNECTORS:	2X 6 Pin BENDIX (PT02E-10-6P)

### NOTES:

- 1) Vacuum rated and low outgassing loadcell
- 2) Repress and Depress rates from 15 psia to 0.1 psia in 1 second
- 3) Fx and Fy sideload calibration data @ 50 lb value supplied.

CUSTOMER APPROVAL- COMPANY:

CUSTOMER APPROVAL- NAME / DATE:

REVISIONS: (Refer to dwg # revision sheet)

## OUTLINE DRAWING

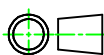
STANDARD NOTES: (Unless Otherwise Specified)

ALL DIMENSIONS ARE IN INCHES  
DRAWING INTERPRETATION DIMS. PER ASME-Y14.5M  
REMOVE BURRS AND BREAK SHARP EDGES .005 - .015  
THREADS PER HANDBOOK H-28  
DIMENSIONS ARE SHOWN AFTER PLATING

ANGLE:  
± 1/2°

CHAMFER:  
± 5°

3rd ANGLE PROJ.  
TOLERANCE:  
.X ± 0.1"  
.XX ± 0.01"  
.XXX ± 0.005"



This drawing is submitted solely for the information and exclusive use of the original addressee. It is not to be divulged in whole or in part, by any firm or individual without written permission from:

**FUTEK**

ADVANCED SENSOR TECHNOLOGY, INC.  
10 THOMAS, IRVINE, CA 92618 USA  
Phone: (949) 465-0900  
Fax: (949) 465-0905

MODEL: **LCF400**

DWG No.: **FO1337**

DRAWN BY: R. Walker

CREATED DATE: 1/2/2013

APPROVED BY: \_\_\_\_\_

APPROVED DATE:

CHECKED BY: J. Mokhbery

CAGE: 1X8M6 SHEET: 1 OF 1