

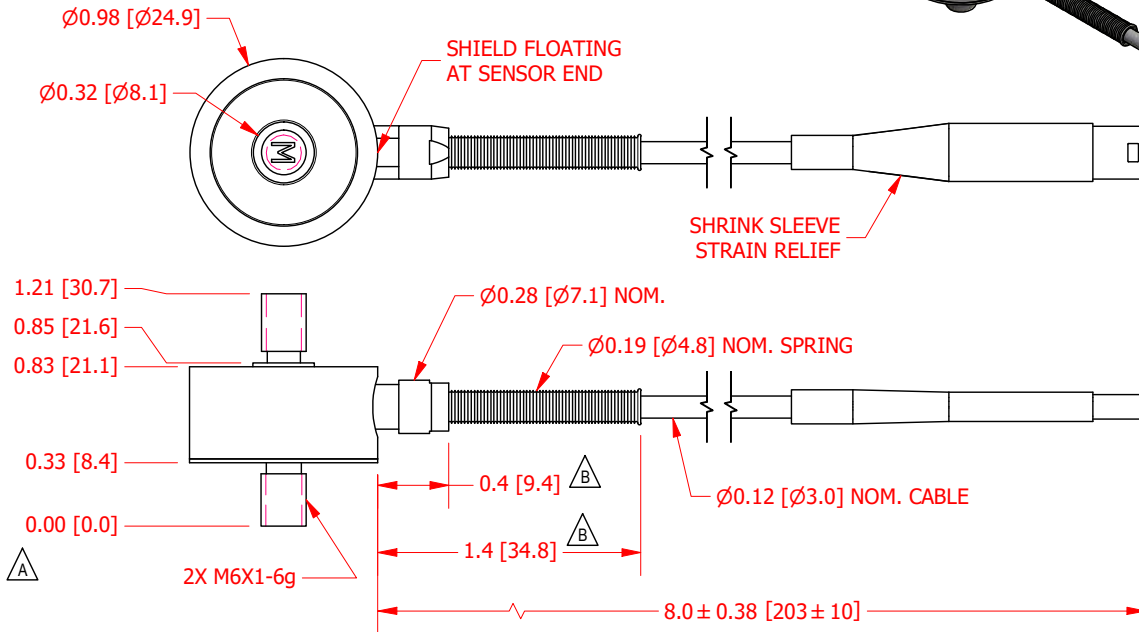
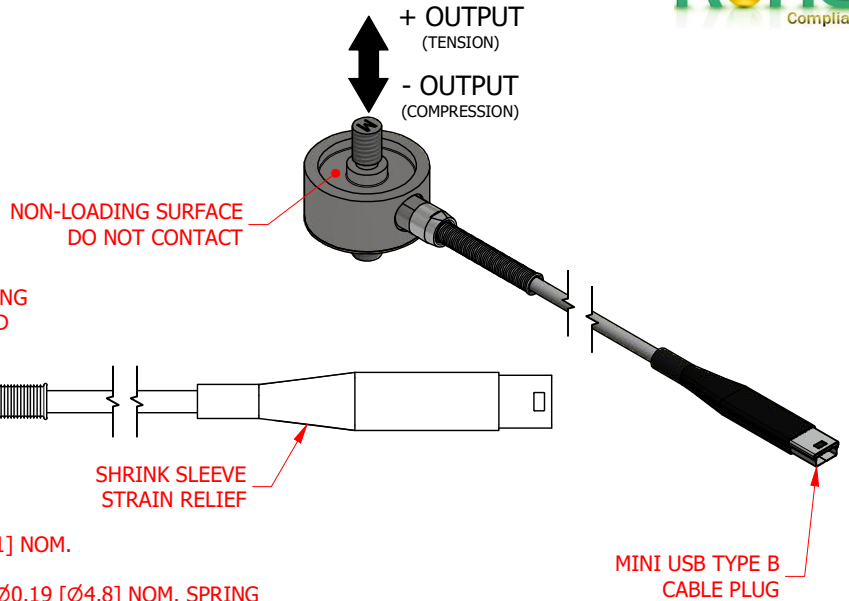
FUTEK MODEL LCM300

ITEM NUMBER: QSH01730

SPECIAL LEAD FREE LCM300 W/ MINI USB CONNECTOR

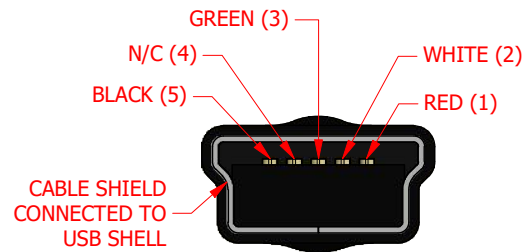


INCH [mm]		R.O.= Rated Output	
WIRING CODE			
+ Excitation	- Excitation	+ Signal	- Signal
RED PIN 1	BLACK PIN 5	GREEN PIN 3	WHITE PIN 2
Shield			
See Drawing			



SPECIFICATIONS:

RATED OUTPUT	1.8 to 2.0 mV/V
CAPACITY	50 lb. [222N]
SAFE OVERLOAD	150 % of R.O.
ZERO BALANCE	±2% of R.O.
EXCITATION (VDC OR VAC)	15 MAX
BRIDGE RESISTANCE	740 Ω nom. Δ
NONLINEARITY	±0.5% of R.O.
HYSTERESIS	±0.5% of R.O.
NONREPEATABILITY	±0.1% of R.O.
TEMP. SHIFT ZERO	±0.005% of R.O./°F (±0.009 of R.O./°C)
TEMP. SHIFT SPAN	±0.02% of LOAD/°F (±0.036 of LOAD/°C)
COMPENSATED TEMP.	32 to 122 °F (0 to 50 °C)
OPERATING TEMP (SENSOR)	-43 to 200 °F (-42 to 93 °C)
OPERATING TEMP (USB CONNECTOR)	-22 to 167 °F (-30 to 75 °C)
WEIGHT (approx)	0.1 lb [45.4 g]
MATERIAL	Stainless Steel Flexure and Cover
DEFLECTION	0.001 to 0.002 [0.03 to 0.05] nom.
CABLE	#28 Awg, 4 Conductor Braided Shielded PVC Cable
CALIBRATION	5 pt COMPRESSION; 100 KΩ SHUNT CAL. VALUE
CALIBRATION TEST EXCITATION	10 VDC



USB CONNECTOR FRONT VIEW



SCIGATE AUTOMATION (S) PTE LTD

No.1 Bukit Batok Street 22 #01-01 Singapore 659592
 Tel: (65) 6561 0488 Fax: (65) 6562 0588
 Email: sales@scigate.com.sg Web: www.scigate.com.sg

Business Hours: Monday - Friday 8.30am - 6.15pm

CUSTOMER APPROVAL- COMPANY:

CUSTOMER APPROVAL- NAME / DATE:

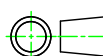
REVISIONS: (Refer to dwg # revision sheet)

A	3/24/2014
B	5/24/2021

OUTLINE DRAWING

STANDARD NOTES: (Unless Otherwise Specified)
 ALL DIMENSIONS ARE IN INCHES
 DRAWING INTERPRETATION DIMS. PER ASME-Y14.5
 REMOVE BURRS AND BREAK SHARP EDGES .005 - .015
 THREADS PER HANDBOOK H-28
 DIMENSIONS ARE SHOWN AFTER PLATING

3rd ANGLE PROJ.



ANGLE:
± 1/2°

CHAMFER:
± 5°

TOLERANCE:
.X ± 0.1"
.XX ± 0.01"
.XXX ± 0.005"

This drawing is submitted solely for the information and exclusive use of the original addressee. It is not to be divulged in whole or in part, by any firm or individual without written permission from:

FUTEK
 ADVANCED SENSOR TECHNOLOGY, INC.
 10 THOMAS, IRVINE, CA 92618 USA
 Phone: (949) 465-0900
 Fax: (949) 465-0905

MODEL: LCM300	DWG No.: FO1360-B
DRAWN BY: E. PANO	CREATED DATE: 2/24/2014
APPROVED BY: R. WALKER	APPROVED DATE: 2/24/2014
CHECKED BY:	CAGE: 1X8M6 SHEET: 1 OF 1