

FUTEK MODEL LCF400

ITEM NUMBER: QSH01815

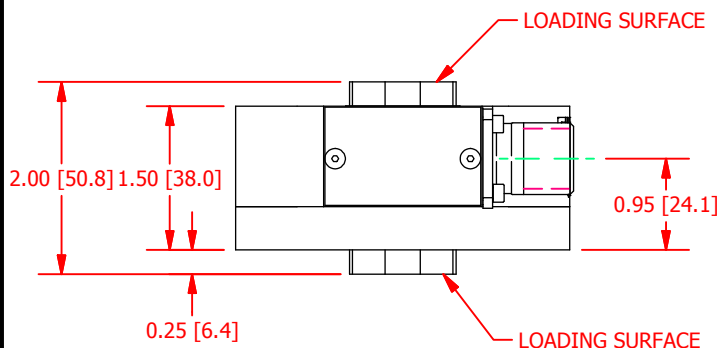
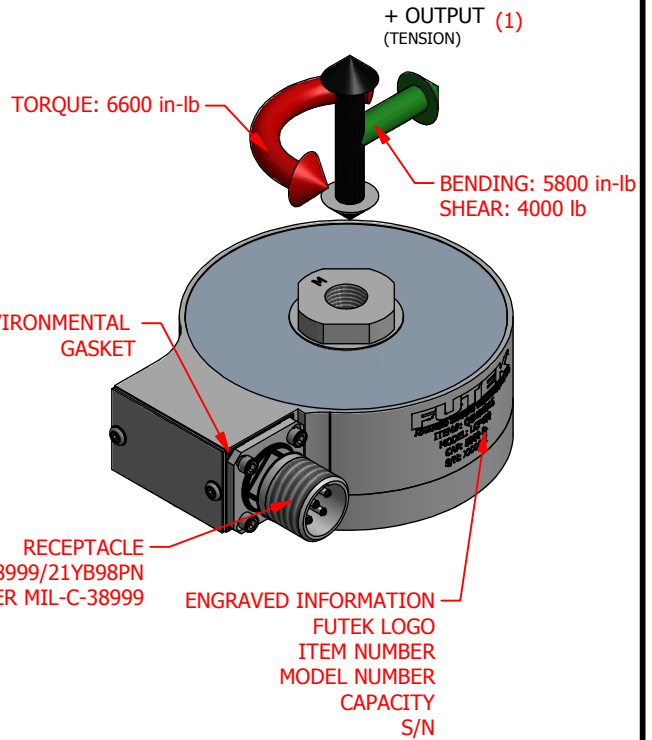
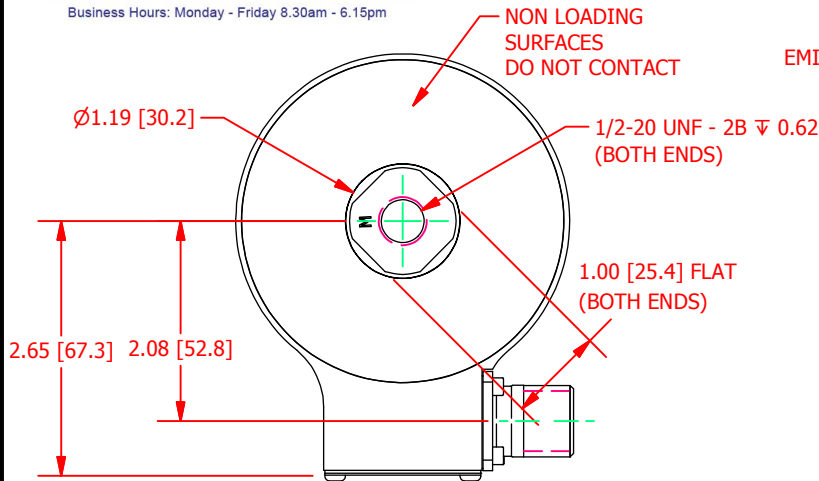
TENSION AND COMPRESSION LOAD CELL W/ D38999/21YB98PN CONNECTOR

INCH [mm]		R.O.= Rated Output	
WIRING CODE			
+ Excitation	- Excitation	+ Signal	- Signal
PIN A	PIN D	PIN B	PIN C



SCIGATE AUTOMATION (S) PTE LTD

No.1 Bukit Batok Street 22 #01-01 Singapore 659592
 Tel: (65) 6561 0488 Fax: (65) 6562 0588
 Email: sales@scigate.com.sg Web: www.scigate.com.sg
 Business Hours: Monday - Friday 8.30am - 6.15pm



SPECIFICATIONS

RATED OUTPUT	3±0.25% mV/V (1)
CAPACITY	5000 lb [22200 N]
SAFE OVERLOAD	150% of R.O.
ZERO BALANCE	±1% of R.O.
EXCITATION (VDC OR VAC)	18 MAX
BRIDGE RESISTANCE	350 Ω nom
NONLINEARITY	±0.2% of R.O.
HYSTERESIS	±0.2% of R.O.
NONREPEATABILITY	±0.05% of R.O.
TEMP. SHIFT ZERO	±0.002% of R.O./°F (±0.004 of R.O./°C)
TEMP. SHIFT SPAN	±0.002% of LOAD/°F (±0.004 of LOAD/°C)
COMPENSATED TEMP.	0 to 150 °F (-18 to 66 °C)
OPERATING TEMP	-65 to 200 °F (-54 to 93 °C)
WEIGHT (approx)	3 lb
MATERIAL	17-4ph S.S. (FLEXURE) ,304 S.S. (COVER)
MATERIAL FINISH	PASSIVATED PER AMS2700
CONNECTOR	DB9 MALE
MATING CONNECTOR	D38999/26KB98SN (NOT INCLUDED)
INSULATION RESISTANCE	1000 MOhms AT 50 VDC
NUMBER OF BRIDGES	1
EMI GASKET SHIELDING	<85 dB OVER 14KHz TO 1GHz RANGE

NOTES:
 1) RATED OUTPUT IS ADJUSTED AND MAINTAINED IN TENSION DIRECTION ONLY

CUSTOMER APPROVAL- COMPANY:
CUSTOMER APPROVAL- NAME / DATE:
REVISIONS: (Refer to dwg # revision sheet)

OUTLINE DRAWING

STANDARD NOTES: (Unless Otherwise Specified)
 ALL DIMENSIONS ARE IN INCHES
 DRAWING INTERPRETATION DIMS. PER ASME-Y14.5M
 REMOVE BURRS AND BREAK SHARP EDGES .005 - .015
 THREADS PER HANDBOOK H-28
 DIMENSIONS ARE SHOWN AFTER PLATING

ANGLE: ± 1/2°
 CHAMFER: ± 5°
 TOLERANCE:
 .X ± 0.1"
 .XX ± 0.01"
 .XXX ± 0.005"

3rd ANGLE PROJ.

This drawing is submitted solely for the information and exclusive use of the original addressee. It is not to be divulged in whole or in part, by any firm or individual without written permission from:

FUTEK
 ADVANCED SENSOR TECHNOLOGY, INC.
 10 THOMAS, IRVINE, CA 92618 USA
 Phone: (949) 465-0900
 Fax: (949) 465-0905

MODEL: LCF400	DWG No.: FO1402
DRAWN BY: <i>E. Pano</i>	CREATED DATE: 7/28/2015
APPROVED BY: <i>R. Walker</i>	APPROVED DATE: 7/28/2015
CHECKED BY:	CAGE: 1X8M6 SHEET: 1 OF 1