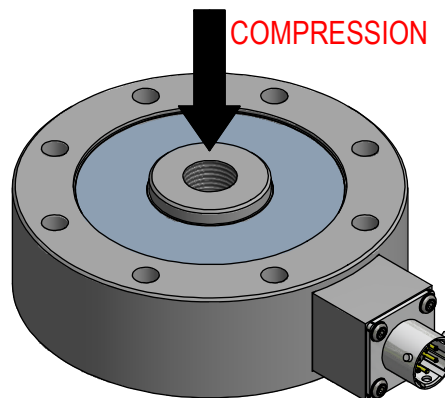
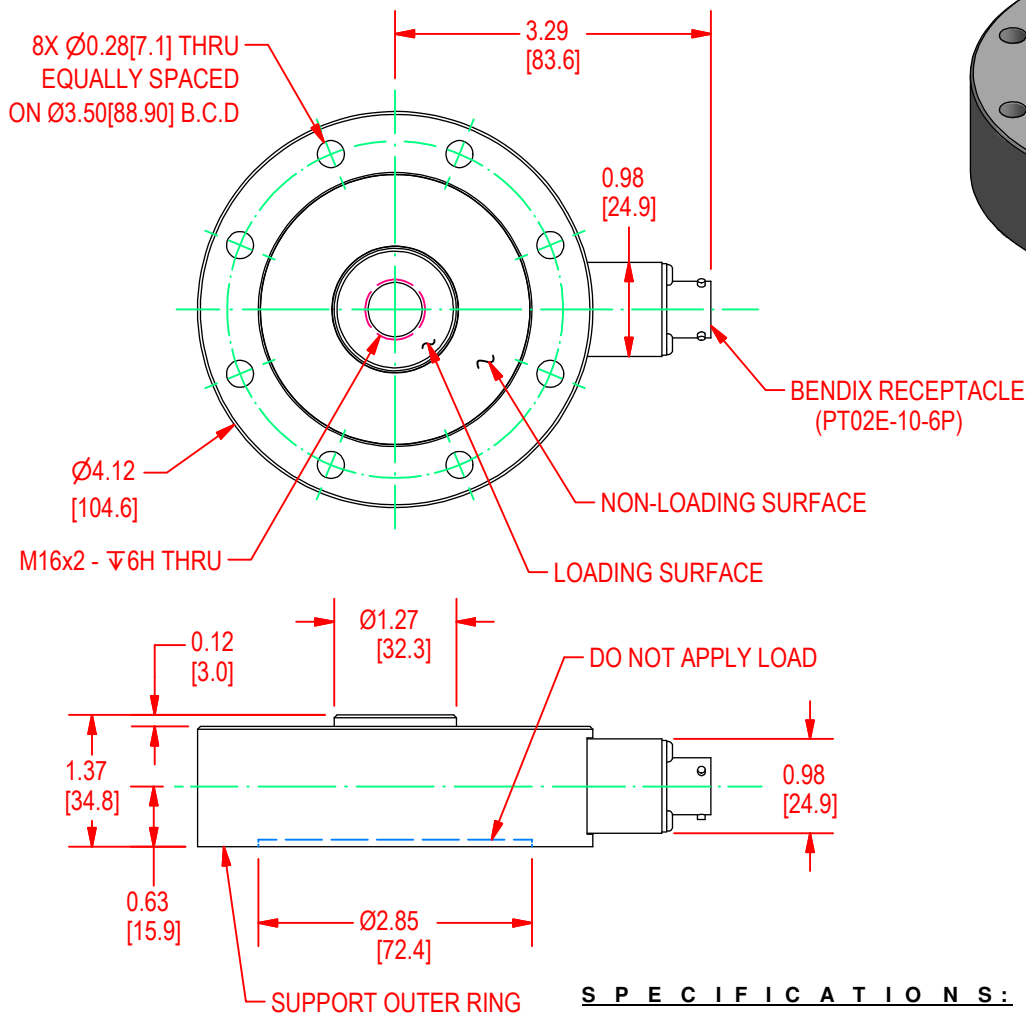


FUTEK MODEL LCF450

Low Profile Universal Pancake Load Cell w/Integrated Amplifier

ITEM NUMBER: QSH01889

INCH [mm]		R.O.= Rated Output
CONNECTOR CODE CC1C		
Power Supply (+)	Ground (-)	Current Output (+)
PIN A	PIN B	PIN C



SPECIFICATIONS:

RATED OUTPUT	16 m A .
CAPACITY	14000 lb
SAFE OVERLOAD	15000 lb [66600N]
ZERO BALANCE	4 m A
POWER SUPPLY (VDC)	16-24
NONLINEARITY	± 0.2% of R.O .
HYSTERESIS	± 0.2% of R.O .
NONREPEATABILITY	± 0.02% of R.O .
TEMP. SHIFT ZERO	± 0.01% of R.O./°F (± 0.018 of R.O./°C)
TEMP. SHIFT SPAN	± 0.01% of LOAD/°F (± 0.018 of LOAD/°C)
COMPENSATED TEMP.	60 to 160 °F (16 to 71 °C)
OPERATING TEMP	-40 to 180 °F (-40 to 82 °C)
WEIGHT (approx)	3.6 lb [1632.6 g]
MATERIAL	STAINLESS STEEL
CONNECTOR	PT02E-106P



SCIGATE AUTOMATION (S) PTE LTD

No.1 Bukit Batok Street 22 #01-01 Singapore 659592
 Tel: (65) 6561 0488 Fax: (65) 6562 0588
 Email: sales@scigate.com.sg Web: www.scigate.com.sg
 Business Hours: Monday - Friday 8.30am - 6.15pm

CUSTOMER APPROVAL- COMPANY:

CUSTOMER APPROVAL- NAME / DATE:

REVISIONS: (Refer to dwg # revision sheet)

A	2/13/17
---	---------

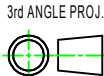
OUTLINE DRAWING

STANDARD NOTES: (Unless Otherwise Specified)
 ALL DIMENSIONS ARE IN INCHES
 DRAWING INTERPRETATION DIMS. PER ASME-Y14.5M
 REMOVE BURRS AND BREAK SHARP EDGES .005 - .015
 THREADS PER HANDBOOK H-28
 DIMENSIONS ARE SHOWN AFTER PLATING

ANGLE:
± 1/2°

CHAMFER:
± 5°

TOLERANCE:
.X ± 0.1"
.XX ± 0.01"
.XXX ± 0.005"



This drawing is submitted solely for the information and exclusive use of the original addressee. It is not to be divulged in whole or in part, by any firm or individual without written permission from:

FUTEK
 ADVANCED SENSOR TECHNOLOGY, INC.
 10 THOMAS, IRVINE, CA 92618 USA
 Phone: (949) 465-0900
 Fax: (949) 465-0905

MODEL: LCF450	DWG No.: F01439-A
DRAWN BY: T. Huynh	CREATED DATE: 1/25/2017
APPROVED BY: R. Walker	APPROVED DATE: 1/25/2017
CHECKED BY:	CAGE: 1X8M6 SHEET: 1 OF 1