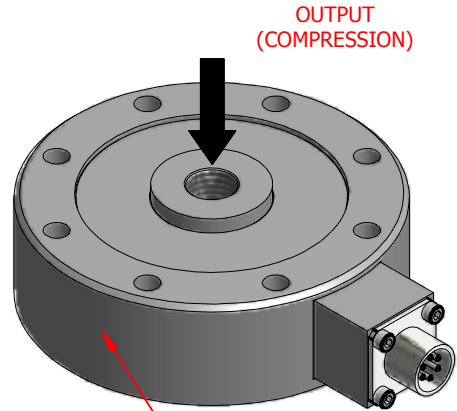
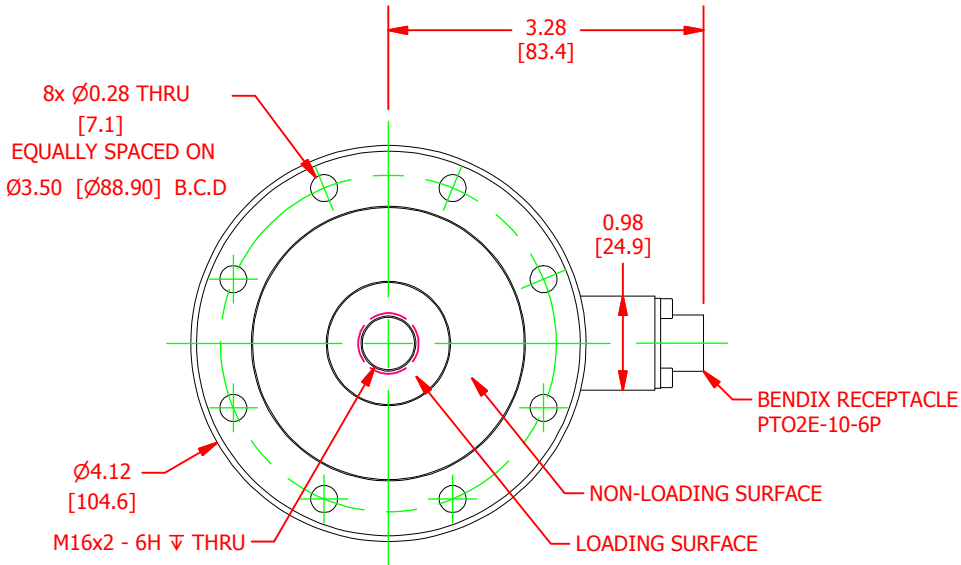


# FUTEK MODEL LCF450

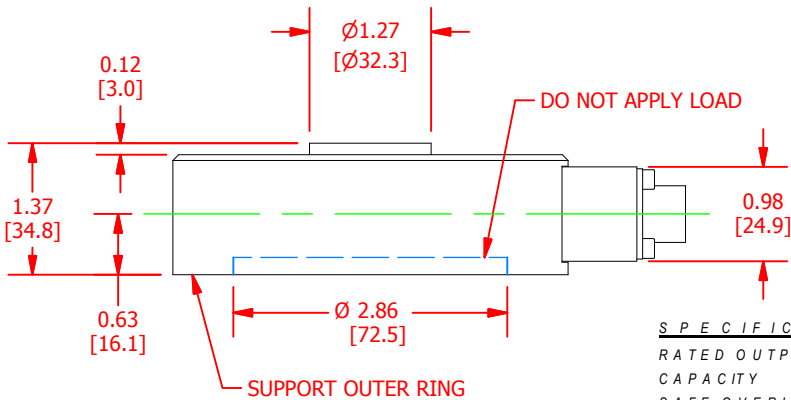
## Low Profile Universal Pancake Load Cell w/ Integrated Amplifier

ITEM NUMBER: QSH02007

INCH [mm]   R.O.= Rated Output		
WIRING CODE: CC1C		
Vin(+)	Gnd(-)	Iout(+)
PIN A	PIN B	PIN C



LASER MARKED:  
FUTEK LOGO  
FUTEK S/N  
www.futek.com  
Made in USA



### SPECIFICATIONS:

RATED OUTPUT CAPACITY	16 mA
SAFE OVERLOAD	5000 lb [22.24kN]
ZERO BALANCE	150% of R.O.
POWER SUPPLY (VDC)	4 mA
MAX OUTPUT IMPEDANCE	16-24
MAX CURRENT	500 Ω
-3dB BANDWIDTH	46 mA @ Full Load
NONLINEARITY	1000 Hz
HYSTERESIS	±0.1% of R.O.
NONREPEATABILITY	±0.2% of R.O.
TEMP. SHIFT ZERO	±0.02% of R.O.
TEMP. SHIFT SPAN	±0.01% of R.O./°F (±0.018 of R.O./°C)
COMPENSATED TEMP.	±0.01% of LOAD/°F (±0.018 of LOAD/°C)
OPERATING TEMP	60 to 160 °F (16 to 71 °C)
WEIGHT (approx)	-13 to 185 °F (-25 to 85 °C)
MATERIAL	3.5 lb
CONNECTOR: PTO2E-10-6P	17-4 PH Stainless Flexure



### SCIGATE AUTOMATION (S) PTE LTD

No.1 Bukit Batok Street 22 #01-01 Singapore 659592  
 Tel: (65) 6561 0488 Fax: (65) 6562 0588  
 Email: sales@scigate.com.sg Web: www.scigate.com.sg  
 Business Hours: Monday - Friday 8.30am - 6.15pm

CUSTOMER APPROVAL- COMPANY:	<h1 style="color: green;">OUTLINE DRAWING</h1>	<p><i>This drawing is submitted solely for the information and exclusive use of the original addressee. It is not to be divulged in whole or in part, by any firm or individual without written permission from:</i></p>	<p>ADVANCED SENSOR TECHNOLOGY, INC.                  10 THOMAS, IRVINE, CA 92618 USA                  Phone: (949) 465-0900                  Fax: (949) 465-0905</p>
CUSTOMER APPROVAL- NAME / DATE:			
REVISIONS: (Refer to dwg # revision sheet)	<p>STANDARD NOTES: (Unless Otherwise Specified)</p> <p>ALL DIMENSIONS ARE IN INCHES                  DRAWING INTERPRETATION DIMS. PER ASME-Y14.5M                  REMOVE BURRS AND BREAK SHARP EDGES .005 - .015                  THREADS PER HANDBOOK H-28                  DIMENSIONS ARE SHOWN AFTER PLATING</p> <p>3rd ANGLE PROJ.</p> <p>ANGLE: ± 1/2"                  CHAMFER: ± 5"                  TOLERANCE:                  .X ± 0.1"                  .XX ± 0.01"                  .XXX ± 0.005"</p>	<p>DRAWN BY: S. MICHEL</p>	<p>CREATED DATE: 6/25/2018</p>
		<p>APPROVED BY: R. WALKER</p>	<p>APPROVED DATE: 6/25/2018</p> <p>CAGE: 1X8M6 SHEET: 1 OF 1</p>