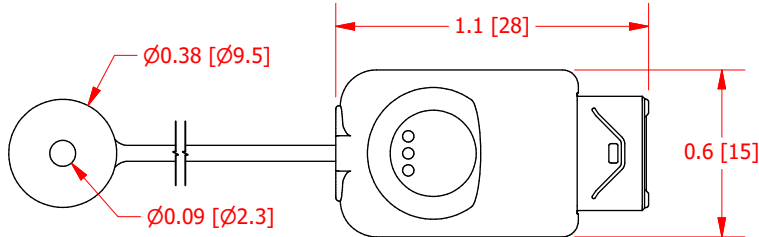
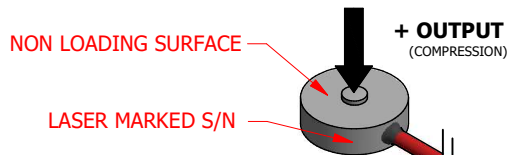


FUTEK MODEL LLB130

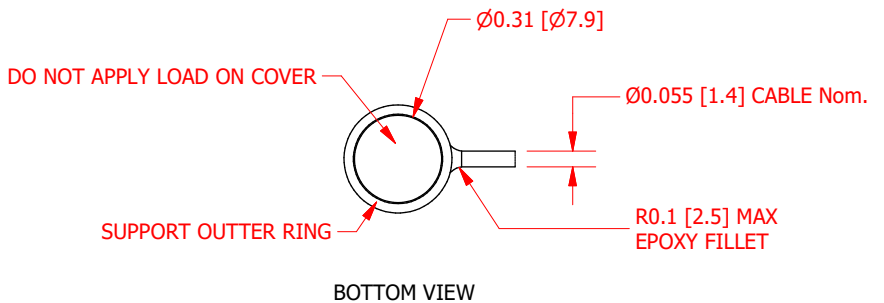
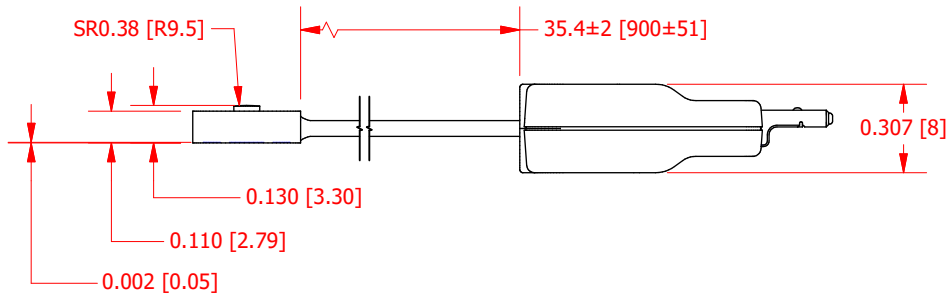
CUSTOM SUBMINIATURE LOAD BUTTON LOAD CELL WITH LX40-12P HIROSE CONNECTOR

ITEM NUMBER: QSH02098

INCH [mm]		R.O.= Rated Output	
WIRING CODE			
+ Excitation	- Excitation	+Signal	-Signal
Pin 11	Pin 12	Pin 1	Pin 2



PIN# 1
PIN# 12



BOTTOM VIEW

SPECIFICATIONS:

RATED OUTPUT	2 mV/V nom. Δ
CAPACITY	10 lb Δ
SAFE OVERLOAD	150 % of R.O.
ZERO BALANCE	±3% of R.O.
EXCITATION (VDC OR VAC)	7 MAX
BRIDGE RESISTANCE	350 Ω nom.
NONLINEARITY	±0.5% of R.O.
HYSTERESIS	±0.5% of R.O.
NONREPEATABILITY	±0.1% of R.O.
TEMP. SHIFT ZERO	±0.02% of R.O./°F (±0.036 of R.O./°C)
TEMP. SHIFT SPAN	±0.02% of LOAD/°F (±0.036 of LOAD/°C)
COMPENSATED TEMP.	60 to 160 °F (16 to 71 °C)
OPERATING TEMP	-60 to 200 °F (-51 to 93 °C)
WEIGHT (approx)	0.02 lb [8.5 g]
MATERIAL	17-4 PH.S.S.
DEFLECTION	0.0003 [0.008] nom.
CABLE: #34 AWG 4 Conductor Braided Shielded Cable with Red Polyester Jacket, 900 mm lor	
RoHS Lead Free	(EU) 2016/863



SCIGATE AUTOMATION (S) PTE LTD

No.1 Bukit Batok Street 22 #01-01 Singapore 659592
 Tel: (65) 6561 0488 Fax: (65) 6562 0588
 Email: sales@scigate.com.sg Web: www.scigate.com.sg
 Business Hours: Monday - Friday 8.30am - 6.15pm

CUSTOMER APPROVAL- COMPANY:

CUSTOMER APPROVAL- NAME / DATE:

REVISIONS: (Refer to dwg # revision sheet)

A	10/8/2019
---	-----------

OUTLINE DRAWING

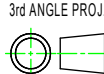
STANDARD NOTES: (Unless Otherwise Specified)

ALL DIMENSIONS ARE IN INCHES
 DRAWING INTERPRETATION DIMS. PER ASME-Y14.5
 REMOVE BURRS AND BREAK SHARP EDGES .005 - .015
 THREADS PER HANDBOOK H-28
 DIMENSIONS ARE SHOWN AFTER PLATING

ANGLE:
± 1/2°

CHAMFER:
± 5°

TOLERANCE:
.X ± 0.1"
.XX ± 0.01"
.XXX ± 0.005"



This drawing is submitted solely for the information and exclusive use of the original addressee. It is not to be divulged in whole or in part, by any firm or individual without written permission from:

FUTEK

ADVANCED SENSOR TECHNOLOGY, INC.
 10 THOMAS, IRVINE, CA 92618 USA
 Phone: (949) 465-0900
 Fax: (949) 465-0905

MODEL: LLB130	DWG No.: F01513-A
DRAWN BY: S. VOSOUGH	CREATED DATE: 9/25/2019
APPROVED BY: M. LISIAK	APPROVED DATE: 10/4/2019
CHECKED BY:	CAGE: 1X8M6 SHEET: 1 OF 1