

FUTEK MODEL LTH500

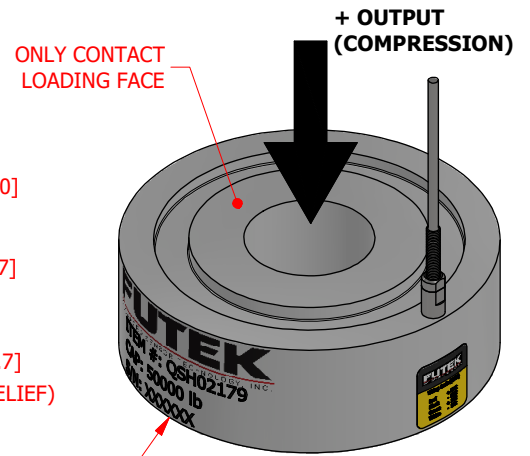
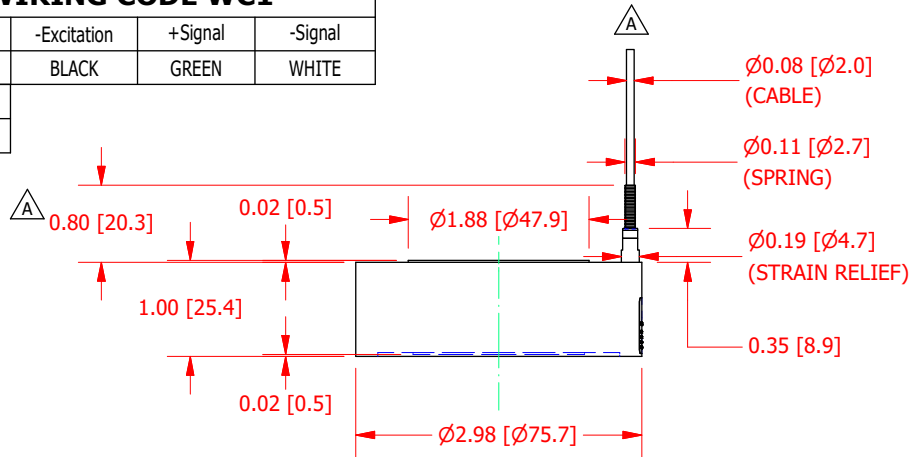
Thru Hole Donut Load Cell with Axial Cable Exit

ITEM NUMBER: QSH02179

INCH [mm] | R.O.= Rated Output

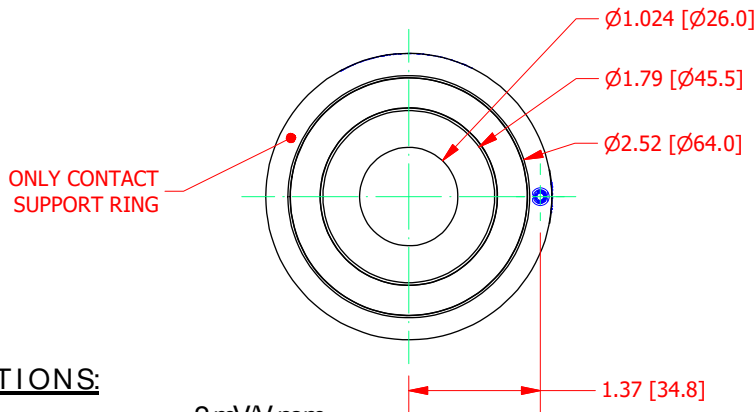
WIRING CODE WC1

+ Excitation	-Excitation	+Signal	-Signal
RED	BLACK	GREEN	WHITE
Shield			
FLOATING			



ONLY CONTACT LOADING FACE

LASER MARK THE FOLLOWING:
FUTEK LOGO/ICON, ITEM #, CAPACITY, S/N



ONLY CONTACT SUPPORT RING

SPECIFICATIONS:

RATED OUTPUT	2 mV/V nom.
CAPACITY	50000 lb. [222000N]
SAFE OVERLOAD	150 % of R.O.
EXCITATION (VDC OR VAC)	18 MAX
BRIDGE RESISTANCE	700 Ω nom.
NONLINEARITY	$\pm 0.5\%$ of R.O.
HYSTERESIS	$\pm 0.5\%$ of R.O.
NONREPEATABILITY	$\pm 0.5\%$ of R.O.
TEMP. SHIFT ZERO	$\pm 0.005\%$ of R.O./ $^{\circ}$ F (± 0.009 of R.O./ $^{\circ}$ C)
TEMP. SHIFT SPAN	$\pm 0.005\%$ of LOAD/ $^{\circ}$ F (± 0.009 of LOAD/ $^{\circ}$ C)
COMPENSATED TEMP.	60 to 160 $^{\circ}$ F (16 to 71 $^{\circ}$ C)
OPERATING TEMP	-40 to 200 $^{\circ}$ F (-40 to 93 $^{\circ}$ C)
WEIGHT (approx)	1.38 lb [627.6 g] Δ
MATERIAL	17-4 PH.S.S.
DEFLECTION	0.002" [0.051mm] nom.
CABLE: #29 Awg, 4 Conductor Spiral Shielded Cable , 10 ft [3 m] Long	



SCIGATE AUTOMATION (S) PTE LTD

No.1 Bukit Batok Street 22 #01-01 Singapore 659592
Tel: (65) 6561 0488 Fax: (65) 6562 0588
Email: sales@scigate.com.sg Web: www.scigate.com.sg

Business Hours: Monday - Friday 8.30am - 6.15pm

CUSTOMER APPROVAL- COMPANY:

CUSTOMER APPROVAL- NAME / DATE:

REVISIONS: (Refer to dwg # revision sheet)

A	11/20/2020
---	------------

OUTLINE DRAWING

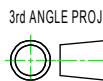
STANDARD NOTES: (Unless Otherwise Specified)

ALL DIMENSIONS ARE IN INCHES
DRAWING INTERPRETATION DIMS. PER ASME-Y14.5
REMOVE BURRS AND BREAK SHARP EDGES .005 - .015
THREADS PER HANDBOOK H-28
DIMENSIONS ARE SHOWN AFTER PLATING

ANGLE:
 $\pm 1/2^{\circ}$

CHAMFER:
 $\pm 5^{\circ}$

TOLERANCE:
.X $\pm 0.1^{\circ}$
.XX $\pm 0.01^{\circ}$
.XXX $\pm 0.005^{\circ}$



This drawing is submitted solely for the information and exclusive use of the original addressee. It is not to be divulged in whole or in part, by any firm or individual without written permission from:

FUTEK
ADVANCED SENSOR TECHNOLOGY, INC.

10 THOMAS, IRVINE, CA 92618 USA
Phone: (949) 465-0900
Fax: (949) 465-0905

MODEL: LTH500	DWG No.: FO1548-A
DRAWN BY: Y. GUERRERO	CREATED DATE: 11/17/2020
APPROVED BY: R. WALKER	APPROVED DATE: 11/19/2020
CHECKED BY:	CAGE: 1X8M6 SHEET: 1 OF 1