

## Terms and Conditions of Use

This drawing, including all information depicted herein (collectively, "Drawing"), is FUTEK's property and protected under applicable law, including copyright. FUTEK reserves all rights. The Drawing is provided solely for your information and exclusive use. **Except as expressly approved by FUTEK in writing, you may not reproduce or share this Drawing**, in whole or part, with any other firm or individual, or attempt to reverse engineer the Drawing or data contained therein. Any reproduction of this Drawing in whole or part must include this legend.

By accessing the Drawing, you agree that you have read, understand, and agree to abide by the stated Terms and Conditions of Use.

© 2023 FUTEK Advanced Sensor Technology, Inc.



## SCIGATE AUTOMATION (S) PTE LTD

No.1 Bukit Batok Street 22 #01-01 Singapore 659592

Tel: (65) 6561 0488

Fax: (65) 6562 0588

Email: sales@scigate.com.sg

Web: www.scigate.com.sg

Business Hours: Monday - Friday 8.30am - 6.15pm

### Sensor Solution Source

Load · Torque · Pressure · Multi Axis · Calibration · Instruments · Software

[www.futek.com](http://www.futek.com)



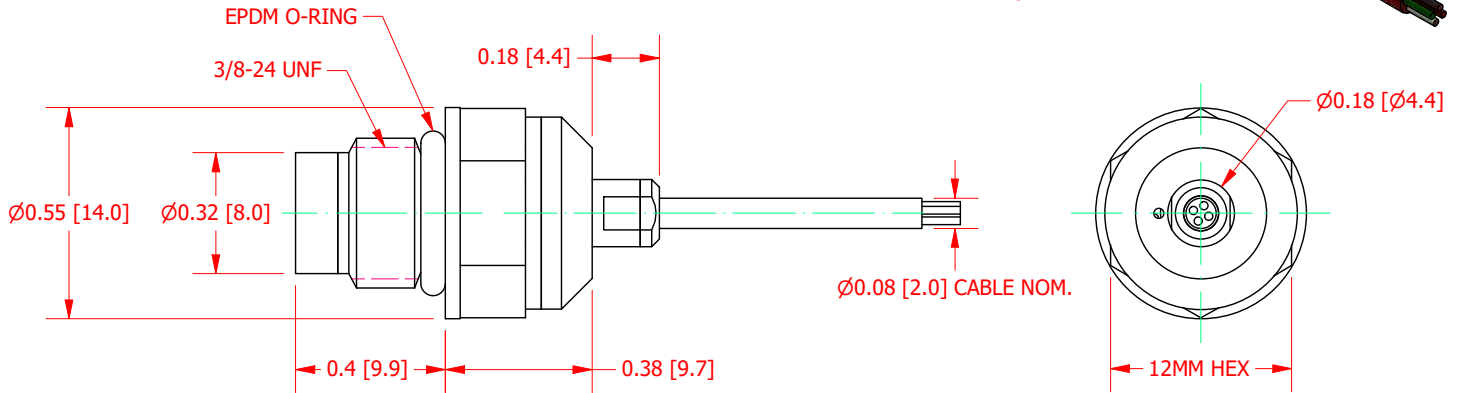
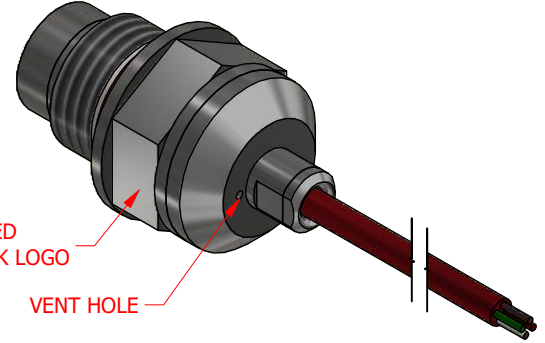
U.S. Manufacturer

# FUTEK MODEL PFT510

ITEM NUMBER: QSH02189

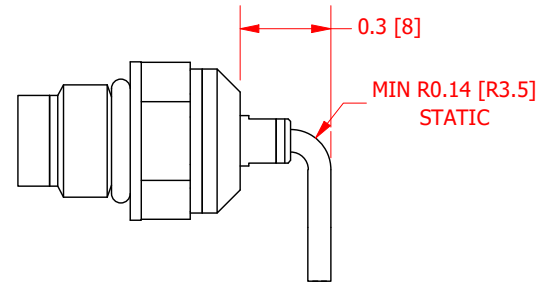
CUSTOM MINIATURE FLUSH MOUNT  
DIAPHRAGM PRESSURE SENSOR VACUUM  
COMPATIBLE/ LOW OUTGASSING

| INCH [mm]    |              | R.O.= Rated Output |         |
|--------------|--------------|--------------------|---------|
| WIRING CODE  |              |                    |         |
| + Excitation | - Excitation | +Signal            | -Signal |
| RED          | BLACK        | GREEN              | WHITE   |



## SPECIFICATIONS:

|  |                                       |
|--|---------------------------------------|
| RATED OUTPUT   | 1.5 mV/V nom.                         |
| CAPACITY   | 225 PSI                               |
| SAFE OVERLOAD  | 150 % of R.O.                         |
| ZERO BALANCE   | ±3% of R.O.                           |
| EXCITATION (VDC OR VAC)  | 10 MAX                                |
| BRIDGE RESISTANCE  | 350 Ω nom.                            |
| NONLINEARITY   | ±0.5% of R.O.                         |
| HYSTERESIS   | ±0.5% of R.O.                         |
| NONREPEATABILITY   | ±0.02% of R.O.                        |
| TEMP. SHIFT ZERO   | ±0.02% of R.O./°F (±0.036 of R.O./°C) |
| TEMP. SHIFT SPAN   | ±0.02% of R.O./°F (±0.036 of R.O./°C) |
| COMPENSATED TEMP.  | 32 to 140 °F (0 to 60 °C)             |
| OPERATING TEMP   | -40 to 194 °F (-40 to 90 °C)          |
| WEIGHT (approx)  | 10g WITHOUT CABLE                     |
| MATERIAL   | 17-4 PH S.S.                          |
| DEFLECTION   | 0.0005 [0.013] nom.                   |
| CABLE: #29 AWG 4 Conductor Spiral Shielded Teflon Cable, 3 ft [0.915 m] Long |                                       |
| RoHS Lead Free   | (EU) 2016/863                         |
| NOTE:  | CAPABLE OF READING VACUUM             |



CABLE BEND RADIUS

CUSTOMER APPROVAL- COMPANY:

CUSTOMER APPROVAL- NAME / DATE:

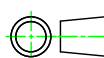
REVISIONS: (Refer to dwg # revision sheet)

## OUTLINE DRAWING

STANDARD NOTES: (Unless Otherwise Specified)

ALL DIMENSIONS ARE IN INCHES  
DRAWING INTERPRETATION DIMS. PER ASME-Y14.5  
REMOVE BURRS AND BREAK SHARP EDGES .005 - .015  
THREADS PER HANDBOOK H-28  
DIMENSIONS ARE SHOWN AFTER PLATING

3rd ANGLE PROJ.



ANGLE:  
± 1/2°

CHAMFER:  
± 5°

TOLERANCE:  
.X ± 0.1"  
.XX ± 0.01"  
.XXX ± 0.005"

# FUTEK

This drawing, including all information depicted herein (collectively, "Drawing"), is FUTEK's property and protected under applicable law, including copyright. FUTEK reserves all rights. The Drawing is provided solely for your information and exclusive use. Except as expressly approved by FUTEK in writing, you may not reproduce or share this Drawing in whole or part, with any other firm or individual, or attempt to reverse engineer the Drawing or data contained therein. Any reproduction of this Drawing in whole or part must include this legend.

MODEL: **PFT510**

DWG No.: **FO1549**

DRAWN BY: M. ILLES

CREATED DATE: 1/25/2021

APPROVED BY: M. LISIAK

APPROVED DATE: 2/10/2021

CHECKED BY:

CAGE: 1X8M6 SHEET: 1 OF 1