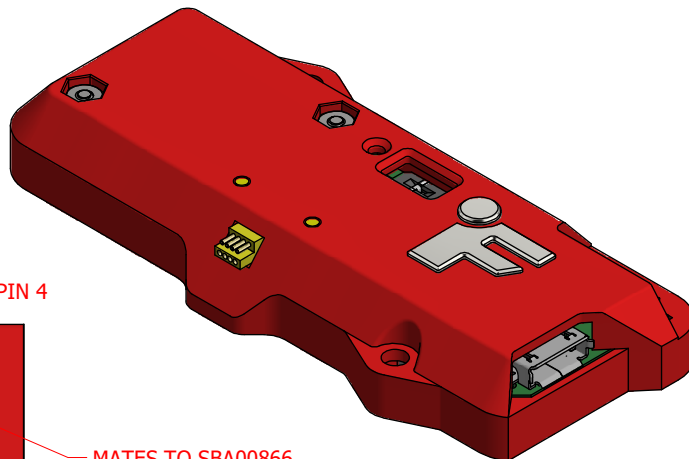


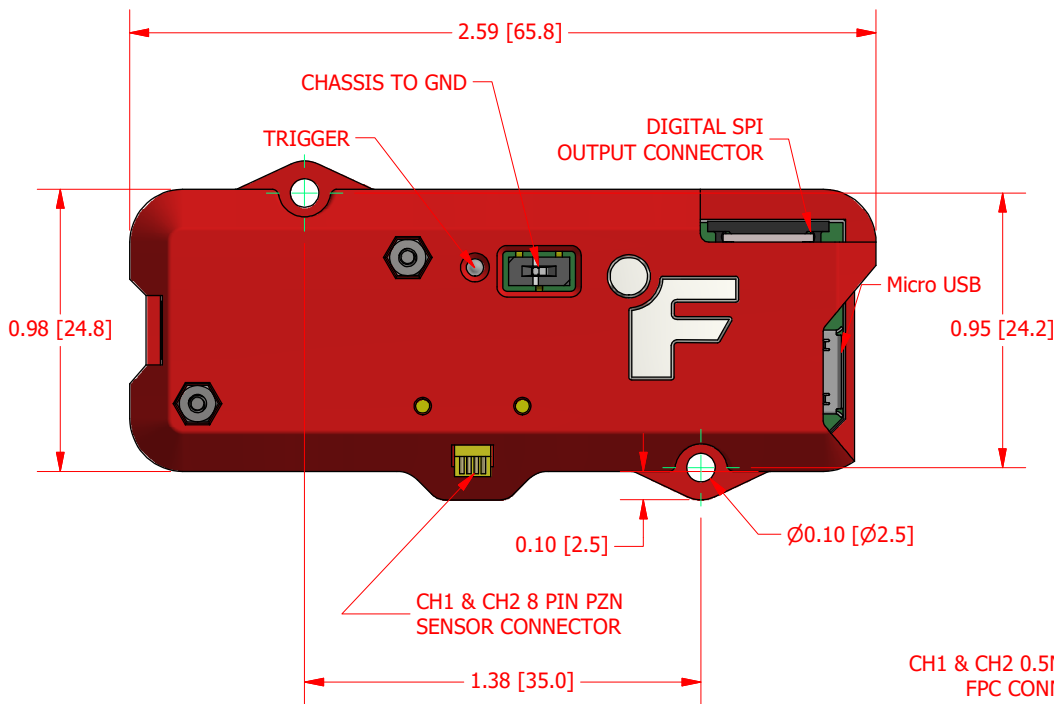
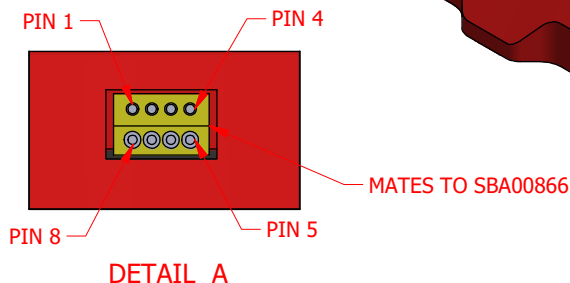
FUTEK MODEL QIA125 QIA125, Custom Twin Channel Packaging

ITEM NUMBER: QSH02131

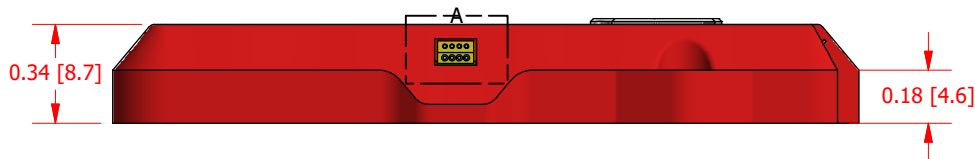
INCH [mm] | R.O.= Rated Output



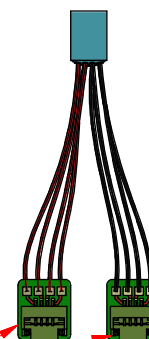
SENSOR CONNECTOR		
CH #	PIN	CODE
1	1	-E
	2	+E
	5	-S
	6	+S
2	3	-E
	4	+E
	7	-S
	8	+S



Preliminary Drawing

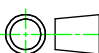


FEATURED ACCESSORY
SBA00866



SCIGATE AUTOMATION (S) PTE LTD
 No.1 Bukit Batok Street 22 #01-01 Singapore 659592
 Tel: (65) 6561 0488 Fax: (65) 6562 0588
 Email: sales@scigate.com.sg Web: www.scigate.com.sg
 Business Hours: Monday - Friday 8.30am - 6.15pm

NOTE:
1. SEE FI1520 FOR DETAILED ELECTRONICS SPECIFICATION.

CUSTOMER APPROVAL- COMPANY:	<h2 style="color: green;">OUTLINE DRAWING</h2>	<p><i>This drawing is submitted solely for the information and exclusive use of the original addressee. It is not to be divulged in whole or in part, by any firm or individual without written permission from:</i></p>	<p>FUTEK ADVANCED SENSOR TECHNOLOGY, INC. 10 THOMAS, IRVINE, CA 92618 USA Phone: (949) 465-0900 Fax: (949) 465-0905</p>
CUSTOMER APPROVAL- NAME / DATE:			
REVISIONS: (Refer to dwg # revision sheet)	<p>3rd ANGLE PROJ.</p> 	<p>DRAWN BY: M. Lisiak APPROVED BY: _____ CHECKED BY: _____</p>	<p>CREATED DATE: 11/5/2020 APPROVED DATE: _____ CAGE: 1X8M6 SHEET: 1 OF 1</p>