

FUTEK MODEL

ITEM NUMBER: QSH02193 [△]B

CUSTOM SUBMINIATURE LOAD BUTTON LOAD CELL WITH LX40-12P HIROSE CONNECTOR

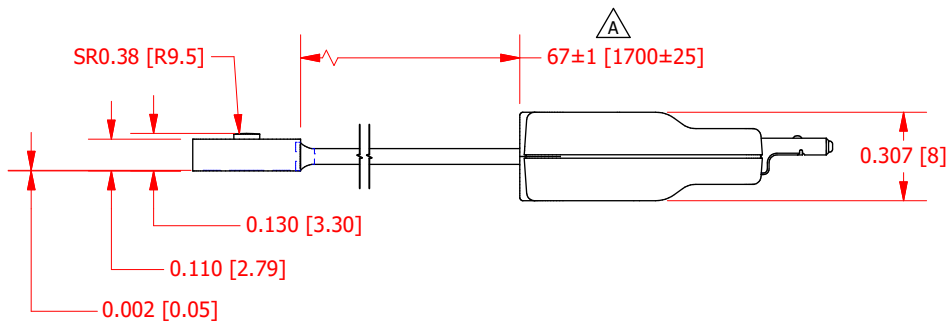
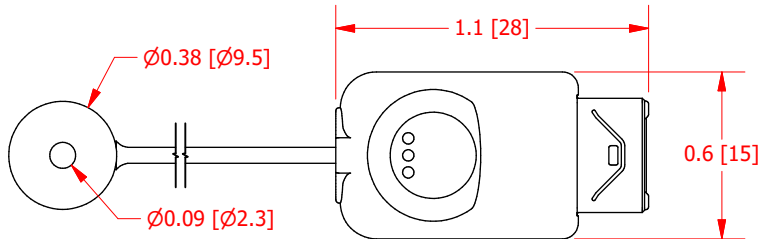


INCH [mm]		R.O.= Rated Output	
WIRING CODE			
+ Excitation	- Excitation	+Signal	-Signal
Pin 11	Pin 12	Pin 1	Pin 2

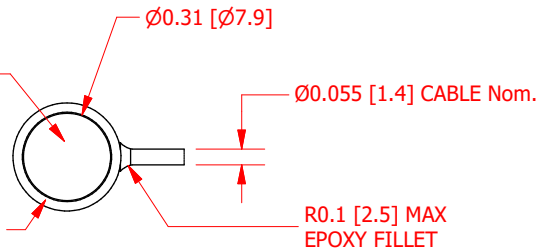
NON LOADING SURFACE

+ OUTPUT
(COMPRESSION)

LASER MARKED S/N



DO NOT APPLY LOAD ON COVER



BOTTOM VIEW

SPECIFICATIONS:

RATED OUTPUT	2 mV/V nom
CAPACITY	10 lb
SAFE OVERLOAD	150 % of R.O.
ZERO BALANCE	±3% of R.O.
EXCITATION (VDC OR VAC)	7 MAX
BRIDGE RESISTANCE	350 Ω nom
NONLINEARITY	±0.5% of R.O.
HYSTERESIS	±0.5% of R.O.
NONREPEATABILITY	±0.1% of R.O.
TEMP. SHIFT ZERO	±0.02% of R.O./°F (±0.036 of R.O./°C)
TEMP. SHIFT SPAN	±0.02% of LOAD/°F (±0.036 of LOAD/°C)
COMPENSATED TEMP.	60 to 160 °F (16 to 71 °C)
OPERATING TEMP	-60 to 200 °F (-51 to 93 °C)
WEIGHT (approx)	0.02 lb [8.5g]
MATERIAL	17-4 PH.S.S.
DEFLECTION	0.0003 [0.008] nom
CABLE: #34 AWG 4 Conductor Braided Shielded Cable with Red Polyester Jacket, 1700 mm long [△] A	
RoHS Lead Free	(EU) 2016/863



SCIGATE AUTOMATION (S) PTE LTD

No. 1 Bukit Batok Street 22 #01-01 Singapore 659592
 Tel: (65) 6561 0488 Fax: (65) 6562 0588
 Email: sales@scigate.com.sg Web: www.scigate.com.sg
 Business Hours: Monday - Friday 8.30am - 6.15pm

CUSTOMER APPROVAL- COMPANY:

OUTLINE DRAWING

This drawing is submitted solely for the information and exclusive use of the original addressee. It is not to be divulged in whole or in part, by any firm or individual without written permission from:



CUSTOMER APPROVAL- NAME / DATE:

STANDARD NOTES: (Unless Otherwise Specified)

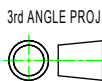
REVISIONS: (Refer to dwg # revision sheet)

ALL DIMENSIONS ARE IN INCHES
 DRAWING INTERPRETATION DIMS. PER ASME-Y14.5
 REMOVE BURRS AND BREAK SHARP EDGES .005 - .015
 THREADS PER HANDBOOK H-28
 DIMENSIONS ARE SHOWN AFTER PLATING

ANGLE:
± 1/2°

CHAMFER:
± 5°

TOLERANCE:
.X ± 0.1"
.XX ± 0.01"
.XXX ± 0.005"



MODEL: LLB130	DWG No.: FO1538-B
DRAWN BY: M.LISIAK	CREATED DATE: 5/21/2020
APPROVED BY: S.VOSOUGH	APPROVED DATE: 5/21/2020
CHECKED BY:	CAGE: 1X8M6 SHEET: 1 OF 1