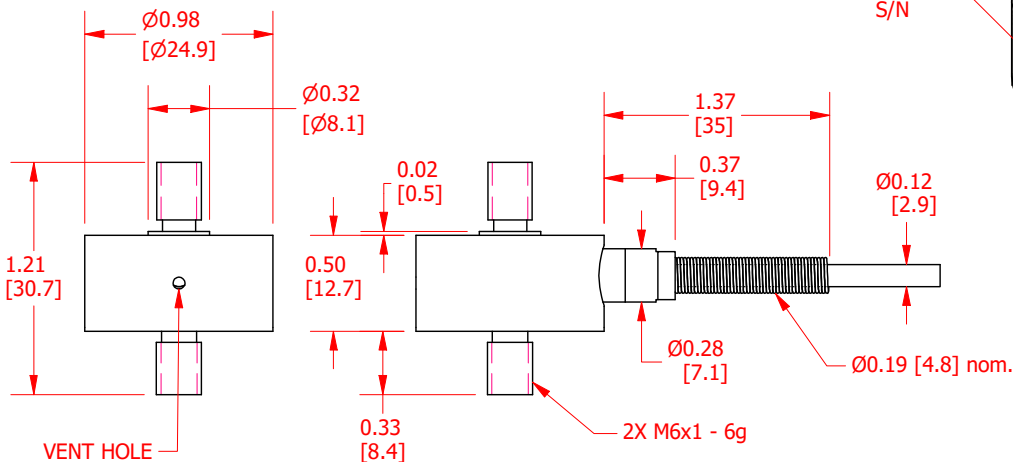


FUTEK MODEL LCM300

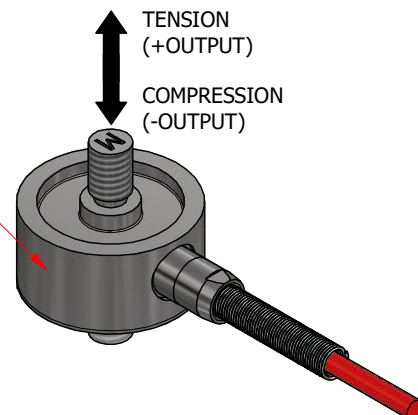
Tension & Compression Load Cell
(Miniature/Inline Threaded), Vacuum
rated, Non-op/survival: -75C to +93C

ITEM NUMBER: QSH02215

INCH [mm]		R.O.= Rated Output		
WIRING CODE (WC1)				
+Excitation	-Excitation	+Signal	-Signal	Shield
RED	BLACK	GREEN	WHITE	FLOATING AT SENSOR BODY



LASER MARKED
FUTEK LOGO / ICON
ITEM#
CAPACITY
S/N



SPECIFICATIONS:

RATED OUTPUT	2 mV/V nom.
CAPACITY	100 lb. [444N]
SAFE OVERLOAD	150 % of R.O.
ZERO BALANCE	±3% of R.O.
EXCITATION (VDC OR VAC)	15 MAX
BRIDGE RESISTANCE	740 Ω nom.
NONLINEARITY	±0.25% of R.O.
HYSTERESIS	±0.25% of R.O.
NONREPEATABILITY	±0.1% of R.O.
TEMP. SHIFT ZERO	±0.01% of R.O./°F (±0.018 of R.O./°C)
TEMP. SHIFT SPAN	±0.02% of LOAD/°F (±0.036 of LOAD/°C)
COMPENSATED TEMP.	-49 to 160 °F (-45 to 71 °C)
OPERATING TEMP	-60 to 200 °F (-51 to 93 °C)
NONOPERATING/SURVIVAL TEMP	-103 to 200 °F (-75 to 93 °C)
WEIGHT (approx) LESS CABLE	0.1 lb [45.4 g]
MATERIAL	17-4 PH.S.S.
DEFLECTION	0.001 [0.025] nom.
CABLE: #26 Awg 4 Conductor Braided Shielded Teflon Cable, 5 ft [1.5 m] Long	



SCIGATE AUTOMATION (S) PTE LTD

No.1 Bukit Batok Street 22 #01-01 Singapore 659592
Tel: (65) 6561 0488 Fax: (65) 6562 0588
Email: sales@scigate.com.sg Web: www.scigate.com.sg

Business Hours: Monday - Friday 8.30am - 6.15pm

CUSTOMER APPROVAL- COMPANY:

CUSTOMER APPROVAL- NAME / DATE:

REVISIONS: (Refer to dwg # revision sheet)

OUTLINE DRAWING

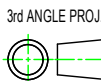
STANDARD NOTES: (Unless Otherwise Specified)

ALL DIMENSIONS ARE IN INCHES
DRAWING INTERPRETATION DIMS. PER ASME-Y14.5
REMOVE BURRS AND BREAK SHARP EDGES .005 - .015
THREADS PER HANDBOOK H-28
DIMENSIONS ARE SHOWN AFTER PLATING

ANGLE:
± 1/2°

CHAMFER:
± 5°

TOLERANCE:
.X ± 0.1"
.XX ± 0.01"
.XXX ± 0.005"



This drawing is submitted solely for the information and exclusive use of the original addressee. It is not to be divulged in whole or in part, by any firm or individual without written permission from:

FUTEK
ADVANCED SENSOR TECHNOLOGY, INC.

10 THOMAS, IRVINE, CA 92618 USA
Phone: (949) 465-0900
Fax: (949) 465-0905

MODEL: **LCM300** DWG No.: **FO1554-0**

DRAWN BY: R. WALKER CREATED DATE: 7/19/2021

APPROVED BY: S. MICHEL APPROVED DATE: 7/19/2021

CHECKED BY: CAGE: 1X8M6 SHEET: 1 OF 1