



FEATURES

- USB 2.0 Communication Link
- USB Bus-Powered
- Input/Output Short Circuit Protection
- Streaming ASCII Output
- CE approved
- Supports mV/V type sensors

SPECIFICATIONS

GENERAL

Sampling Rate	Up to 1000 SPS
Bandwidth (Hz)	Sampling Rate (SPS) / 4
Internal Resolution	24 bits
Resolution (Noise Free)	See Chart
Non-Linearity (max)	± 0.005% of FSR
Output	Digital Packetized Data
Integrated Digital Filter	50 Hz/60 Hz Rejection (100 dB)
On Chip Memory	1 Kilobyte
Stored Calibration	Up to 16 Points
Weight	approx. 10 g

STRAIN GAUGE mV/V INPUT

Bridge Excitation	4.5 VDC
Standard Input Range	± 4 mV/V (factory default)
Optional Input Range	Up to ± 500 mV/V
Min. Bridge Resistance	50 Ohm
Max. Bridge Resistance	5000 Ohm

INPUT

Supply Voltage	USB Bus (5V ±5%)
Current Input Rate	90 mA with 350 ohm bridge

CONNECTORS

Sensor Connector	Hirose LX40-12P
Mating Connector	Hirose LX60-12S
USB 2.0 Connector	Type A Plug

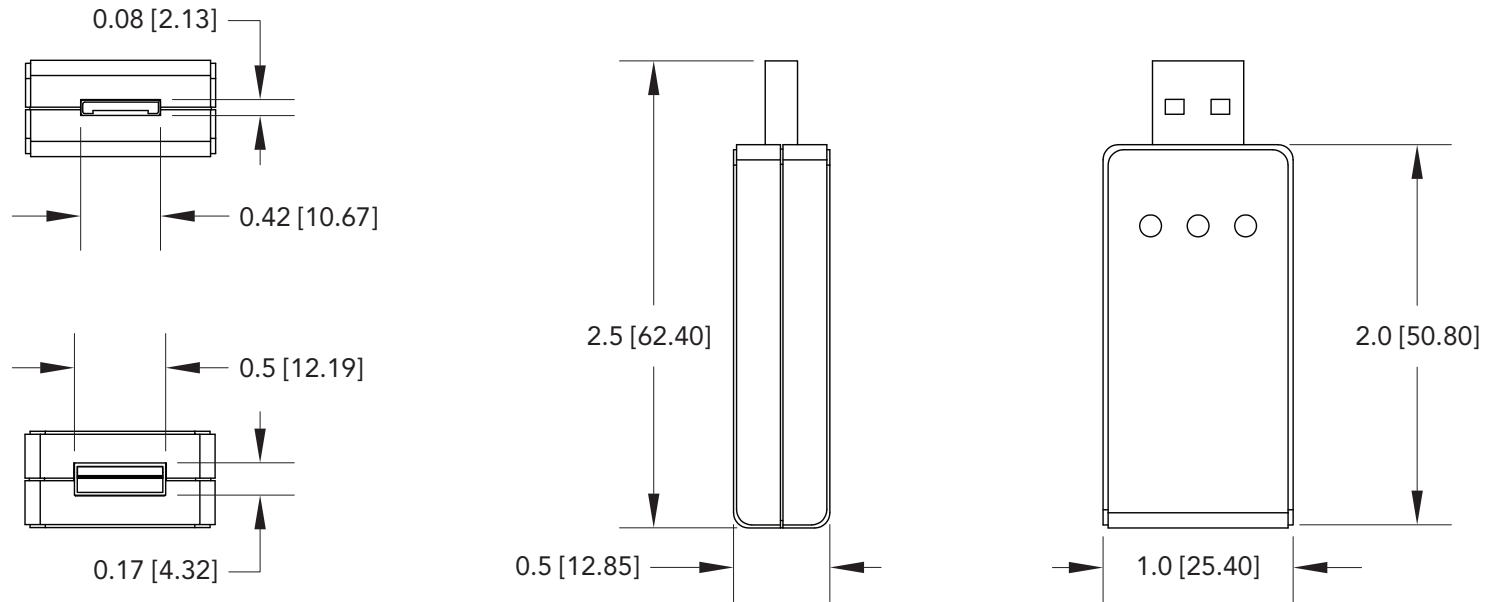
ENVIRONMENT

Operating Temperature	-13°F to 185°F [-25°C to 85°C]
Storage Temperature	-40°F to 257°F [-40°C to 125°C]
Temperature coefficient factor	10 ppm

CONFORMITY

RoHS	2011/65/EU
CE	EN 61326-1:2006

DIMENSIONS inches [mm]



LED INDICATORS

Blinking blue (10 Hz)	Module Auto-Calibration
Blinking blue (1 Hz)	Module Normal Operation
Green	USB Power
Red	USB Data Link

SAMPLING RATE

SAMPLES PER SECOND (SPS)	RESOLUTION (NOISE FREE BITS)
10	16
100	14
500	10
1000	8

ACCESSORIES

- SENSIT Software (FSH03189)**
 14 Day Trial - Available to download on FUTEK website. A license is required, per seat, after 14 days to benefit the features such as data logging, graphing, etc. Trial version turns into basic read-out ONLY after 14 days and a product key is required to enable the features.

SCIGATE
Your Automation Partner

SCIGATE AUTOMATION (S) PTE LTD
 No.1 Bukit Batok Street 22 #01-01 Singapore 659592
 Tel: (65) 6561 0488 Fax: (65) 6562 0588
 Email: sales@scigate.com.sg Web: www.scigate.com.sg
 Business Hours: Monday - Friday 8.30am - 6.15pm

Drawing Number: FI1379

FUTEK reserves the right to modify its design and specifications without notice. Please visit <http://www.futek.com/salesterms> for complete terms and conditions.

10 Thomas, Irvine, CA 92618 USA

Tel: (949) 465-0900

Fax: (949) 465-0905

www.futek.com



RoHS



U.S. Manufacturer