

ACCESSORIES

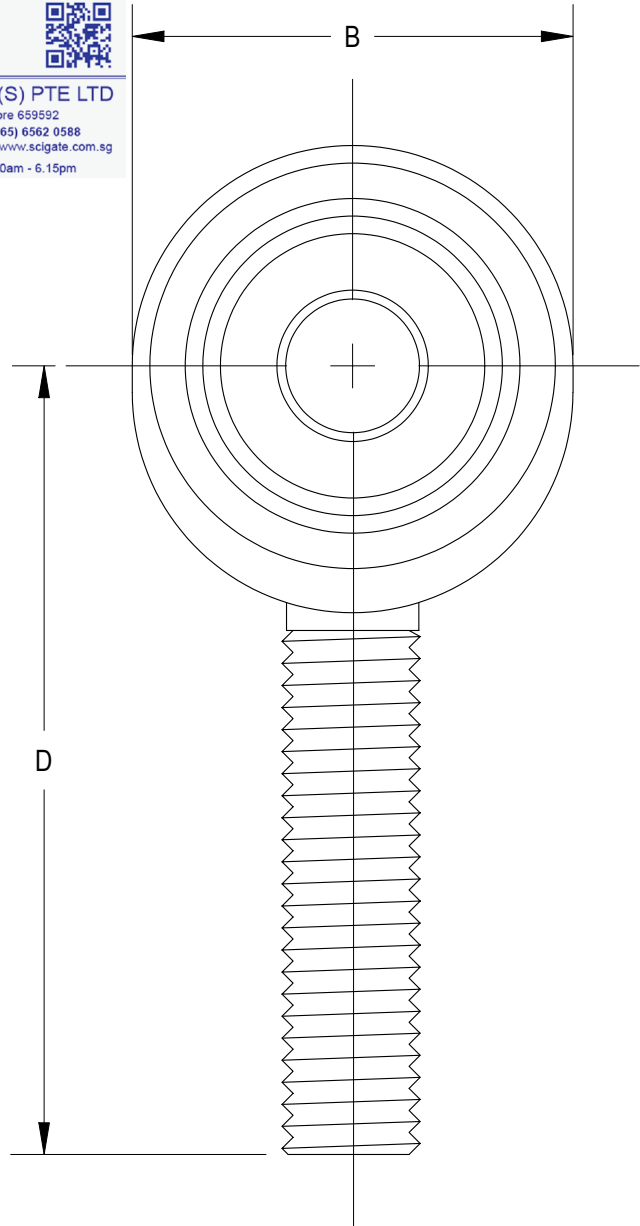
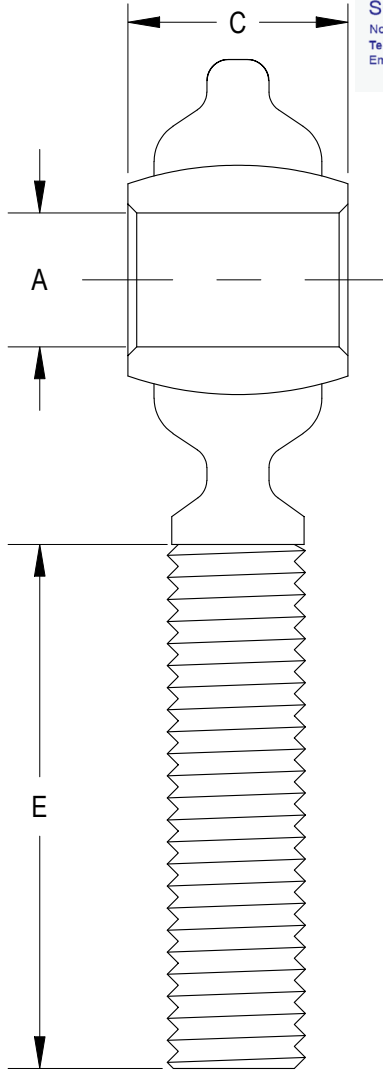
MALE ROD END BEARING

Drawing Number: FI1197

INCH [mm] | Material: ZINC PLATED STEEL



SCIGATE AUTOMATION (S) PTE LTD
 No. 1 Bukit Batok Street 22 #01-01 Singapore 659592
 Tel: (65) 6561 0488 Fax: (65) 6562 0588
 Email: sales@scigate.com.sg Web: www.scigate.com.sg
 Business Hours: Monday - Friday 8.30am - 6.15pm



STK#	THREAD	A	B	C	D	E	LOAD RATING (lb)
GOD00404	10-32	0.19 [4.8]	0.63 [16.0]	0.31 [7.9]	1.25 [31.8]	0.75 [19.1]	900
GOD00405	1/4-28	0.25 [6.4]	0.75 [19.1]	0.38 [9.7]	1.56 [39.6]	1.00 [25.4]	1600
GOD00413	5/16-24	0.31 [7.9]	0.88 [22.4]	0.44 [11.2]	1.88 [47.8]	1.25 [31.8]	2700
GOD00414	3/8-24	0.38 [9.7]	1.00 [25.4]	0.50 [12.7]	1.94 [49.3]	1.25 [31.8]	3800
GOD00415	7/16-20	0.44 [11.2]	1.13 [28.7]	0.56 [14.2]	2.13 [54.1]	1.38 [35.1]	4800
GOD00416	1/2-20	0.50 [12.7]	1.31 [33.3]	0.63 [16.0]	2.44 [62.0]	1.50 [38.1]	6200
GOD00417	5/8-18	0.63 [16.0]	1.50 [38.1]	0.75 [19.1]	2.63 [66.8]	1.63 [41.4]	7300
GOD00418	3/4-16	0.75 [19.1]	1.75 [44.5]	0.88 [22.4]	2.88 [73.2]	1.75 [44.5]	10700
GOD00423	1 1/4-12	1.00 [25.4]	2.75 [69.9]	1.38 [35.1]	4.13 [104.9]	2.13 [54.1]	32600
GOD00419	M6 X 1	0.24 [6.0]	0.75 [19.0]	0.35 [9.0]	1.42 [36.0]	0.87 [22.0]	1200
GOD00420	M10 X 1.5	0.39 [10.0]	1.06 [27.0]	0.55 [14.0]	1.89 [48.0]	1.14 [29.0]	3500
GOD00421	M12 X 1.75	0.47 [12.0]	1.18 [30.0]	0.63 [16.0]	2.13 [54.0]	1.30 [33.0]	4300
GOD00422	M16 X 2	0.63 [16.0]	1.50 [38.0]	0.83 [21.0]	2.60 [66.0]	1.57 [40.0]	6300

BALL JOINT HANDLES UP TO 17° OF MISALIGNMENT



This drawing is submitted solely for the information and exclusive use of the original addressee. It is not to be divulged in whole or in part, by any firm or individual without written permission from FUTEK

**10 THOMAS
 IRVINE, CA 92618 USA
 1-800-23-FUTEK (38835)**

**INTERNET:
<http://www.futek.com>**