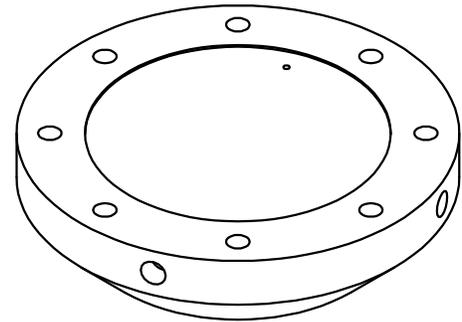
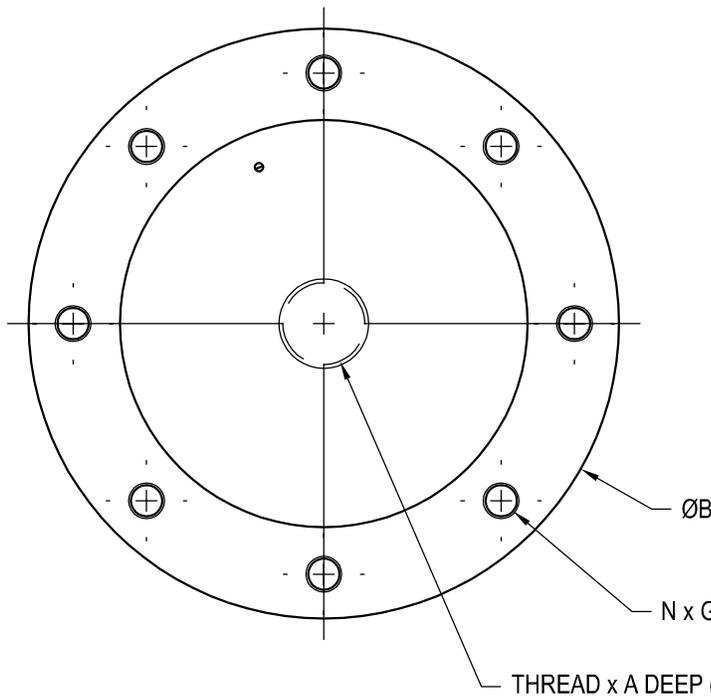


FUTEK MODEL ZAC150

Drawing Number: FI1260-A

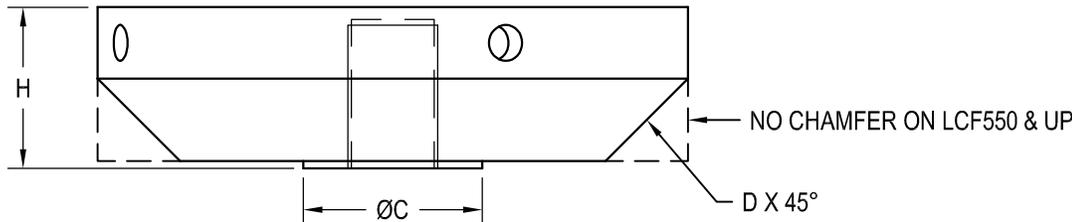
INCH [mm] R.O.= Rated Output

TENSION BASE w/ MOUNTING HARDWARE FOR FUTEK LCF SERIES LOAD CELLS



SCIGATE AUTOMATION (S) PTE LTD
 No. 1 Bukit Batok Street 22 #01-01 Singapore 659592
 Tel: (65) 6561 0488 Fax: (65) 6562 0588
 Email: sales@scigate.com.sg Web: www.scigate.com.sg
 Business Hours: Monday - Friday 8.30am - 6.15pm

N x GRADE 8 HEX HEAD BOLT EQUALLY SPACED.



STOCK NO:	FOR MODEL	THREAD	A	ØB	ØC	D	H	N	BOLT	MATERIAL
FSH02371	LCF450/451	5/8-18	1.00[25.4]	4.13 [104.8]	1.25 [31.7]	0.58 [14.7]	1.13[28.7]	8	1/4-28	S.S.
FSH02372										AL
FSH02373		M16x2								S.S.
FSH02374										AL
FSH02375	LCF500/501	1 1/4-12	1.25[31.7]	5.98[151.9]	2.25[57.1]	0.89 [22.6]	1.75[44.5]	12	3/8-24	S.S.
FSH02376		M33x2								
FSH02377		1 3/4-12								
FSH02852	LCF550/551	M42x2	8.00[203.2]	3.50[88.9]	0.06 [1.5]	2.00[50.8]	16	1/2-20		
FSH02378		2 3/8-8								
FSH03093	LCF650/651	M72x2	2.50[63.5]	11.0[279]	5.0[126]	0.06 [1.5]	3.5[89]	5/8-18		
FSH02449	LCF700/701	3 1/2-8	3.75[95.2]	12.0[305]	6.0[152]	0.06 [1.5]	4.5[114.]	20	3/4-16	
FSH03094		M90x3								

SEE FI1202 FOR BOLT TORQUE & TIGHTENING PATTERN